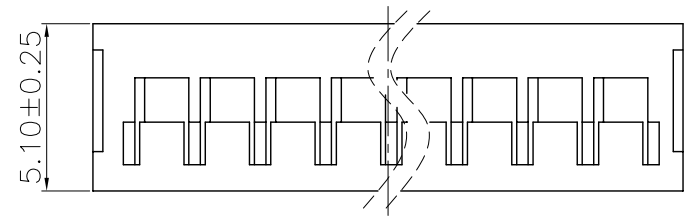
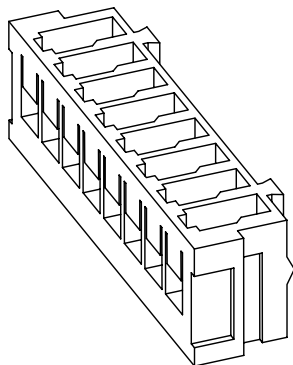
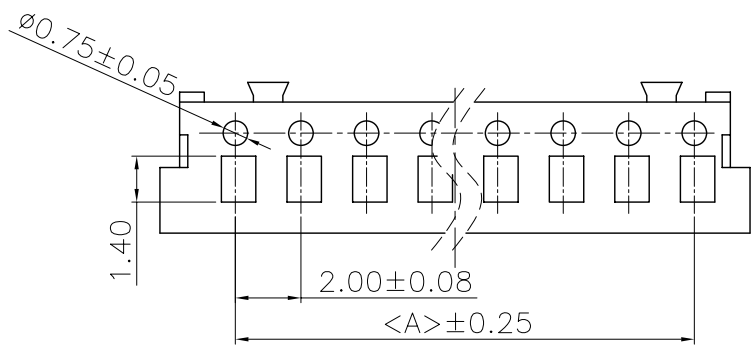
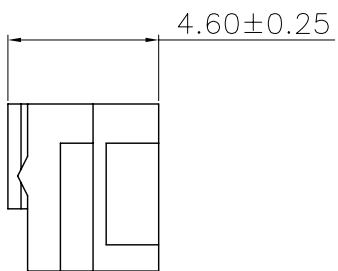
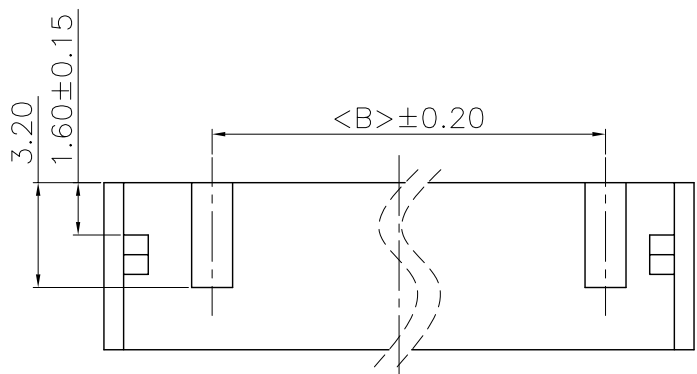
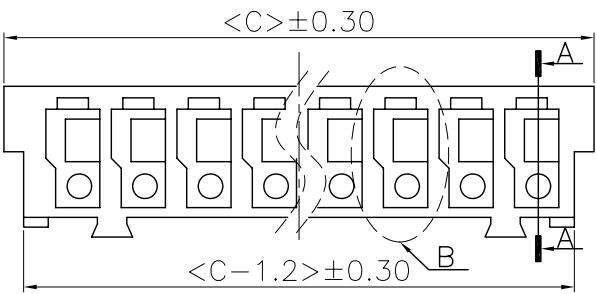


REV.	ECN NO.	DESCRIPTION	DATE	DESIGN
A				



Specifications:
 Current rating:4A AC/DC.
 Voltage rating:125V AC/DC
 Temperature range:-40°C~+105°C.
 Contact resistance:10MΩ Max.
 Insulation resistance:1000MΩ Min.
 Withstanding voltage: 1000V AC/minute.
 Material:PA66.UL94V-0.

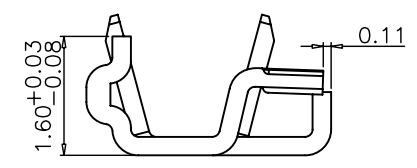
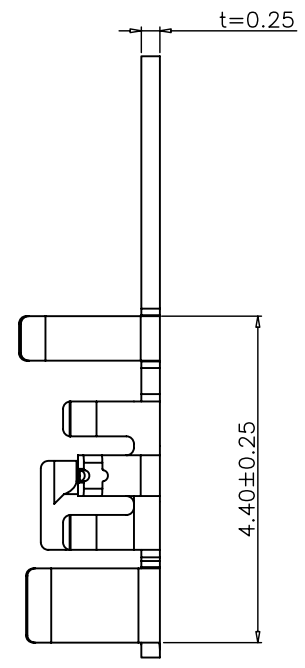
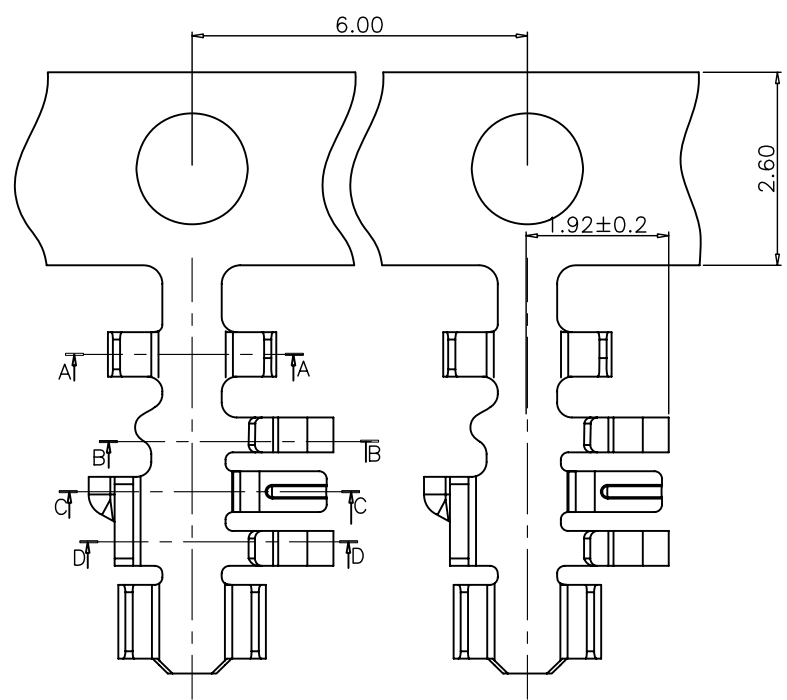
PART NO.	Dimensions		
	A	B	C
A2007H-02P	2.00	/	6.00
A2007H-03P	4.00	/	8.00
A2007H-04P	6.00	4.00	10.00
A2007H-05P	8.00	6.00	12.00
A2007H-06P	10.00	8.00	14.00
A2007H-07P	12.00	10.00	16.00
A2007H-08P	14.00	12.00	18.00
A2007H-09P	16.00	14.00	20.00
A2007H-10P	18.00	16.00	22.00
A2007H-11P	20.00	18.00	24.00
A2007H-12P	22.00	20.00	26.00
A2007H-13P	24.00	22.00	28.00
A2007H-14P	26.00	24.00	30.00
A2007H-15P	28.00	26.00	32.00
A2007H-16P	30.00	28.00	34.00

CNJM Joint More Precision electronics Co.,Ltd.

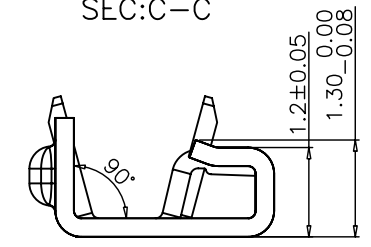
DIM	TOL	DIM	TOL
X.	/	X'	/
X.X	0.25	X.X'	/
X.XX	0.15	X.XX'	/
X.XXX	0.10	X.XXX'	/

DRAW NO.	DATE	P/N NO:	DRAW NAME:
DESIGN: 陈雪峰	2017.06.03	A2007H-NP	2.00mm pitch housing
CHECK: 杨焯			
REVIEW:		REV. A/1	SCALE 1:1
		UNIT: mm	SHEET: 1 OF 1

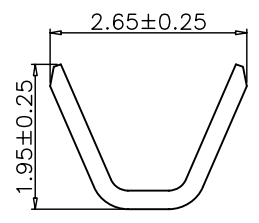
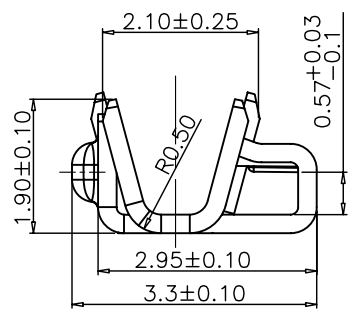
REV	ECN NO.	DESCRIPTION	DATE	DESIGN
A				



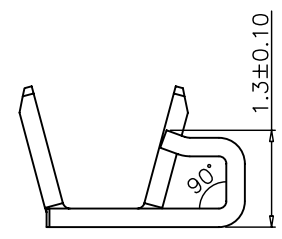
SEC:C-C



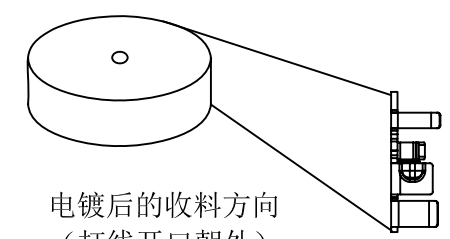
SEC:D-D



SEC:A-A



SEC:B-B



电镀后的收料方向
(打线开口朝外)

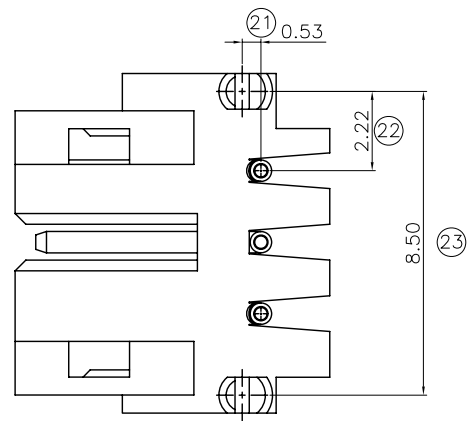
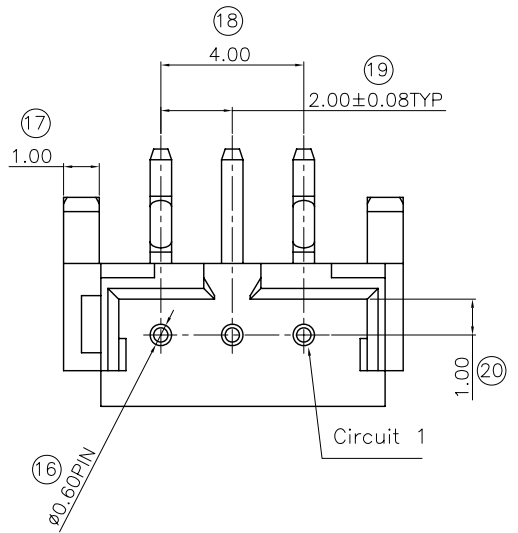
Part NO.	Wire range	Insulation O.D.	Materials	Finish	Qty/reel
A2007-XXX	AWG#22-26	1.5mm(max)	Phosphor Bronze	Tin-plated	10000PCS

DIM	TOL	DIM	TOL
X.	/	X*	/
X.X	0.25	X.X*	/
X.XX	0.15	X.XX*	/
X.XXX	0.10	X.XXX*	/

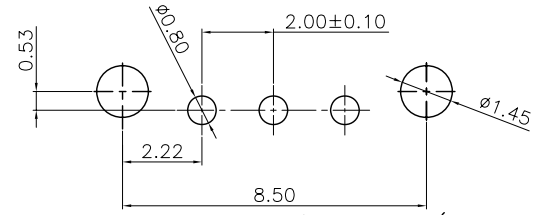
CNJM Joint More Precision electronics Co.,Ltd.

DRAW NO.	DATE	P/N NO.	DRAW NAME:
DESIGN: 陈雪峰	2017.06.03	A2007-XXX	2.0mm pitch Terminal
CHECK: 杨焯		REV.A/1	SCALE 1:1
REVIEW:		UNIT: mm	SHEET: 1 OF 1

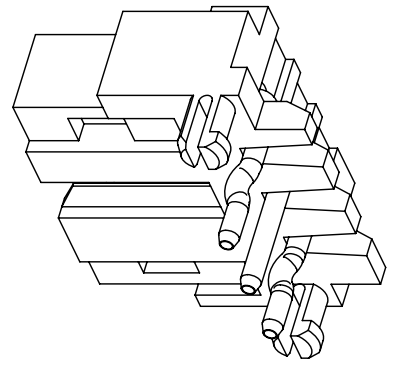
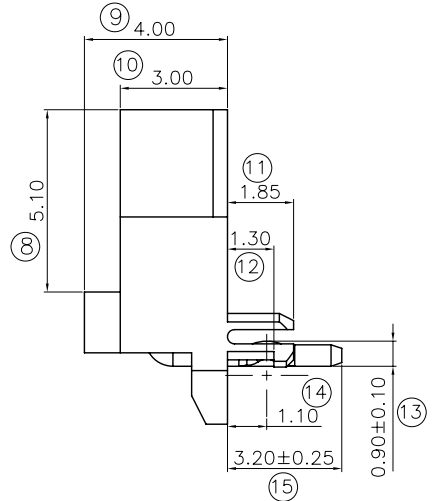
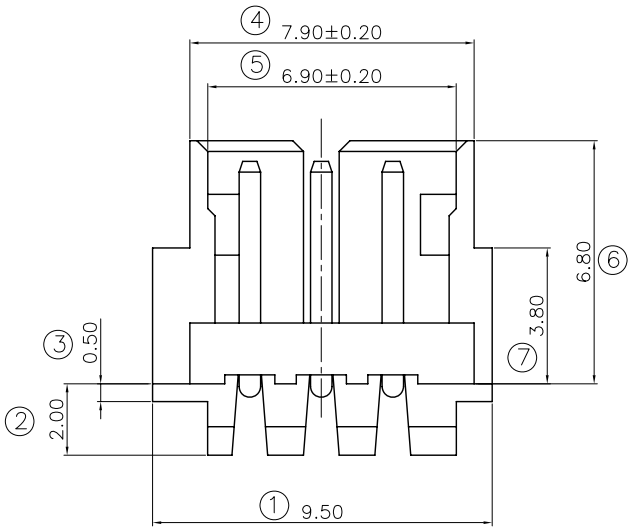
REV:	ECN NO.	DESCRIPTION	DATE	DESIGN
A				



Specifications:
 Current rating:4A AC/DC.
 Voltage rating:125V AC/DC
 Temperature range:-40°C~+105°C.
 Contact resistance:10MΩ Max.
 Insulation resistance:1000MΩ Min.
 Withstanding voltage: 1000V AC/minute.
 Material:PA66.UL94V-0.



Recommended P.C.B Layout(Top Side)
 P.C.B Thickness = 1.20mm (Tolerance=±0.05)



CNJM Joint More Precision electronics Co.,Ltd.

DRAW NO.	DATE	P/N NO:	DRAW NAME:
DESIGN: 陈雪峰	2017.6.5	A2007WR-F-3P-HF	Amp2.0mm pitch wafer
CHECK: 杨焯			
REVIEW:		REV. A1 SCALE 1:1	UNIT: mm SHEET: 1 OF 1

DIM	TOL	DIM	TOL
X.	/	X'.	/
X.X	0.25	X.X'	/
X.XX	0.15	X.XX'	/
X.XXX	0.10	X.XXX'	/