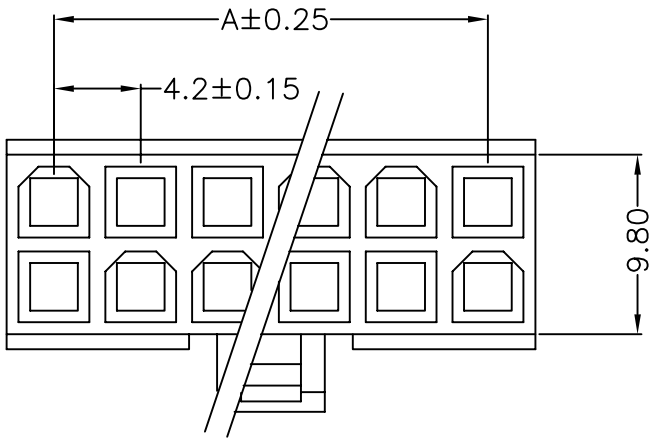
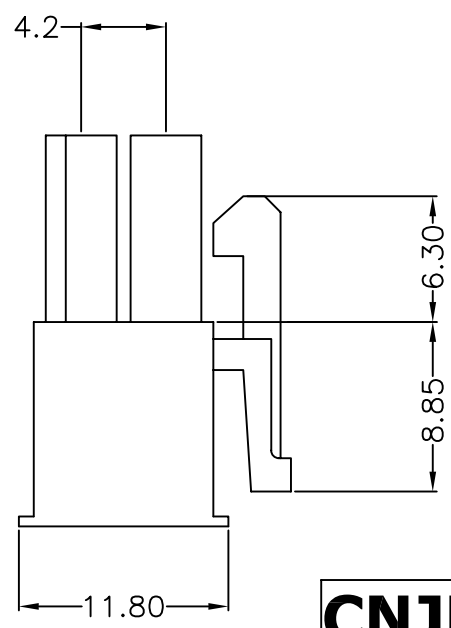
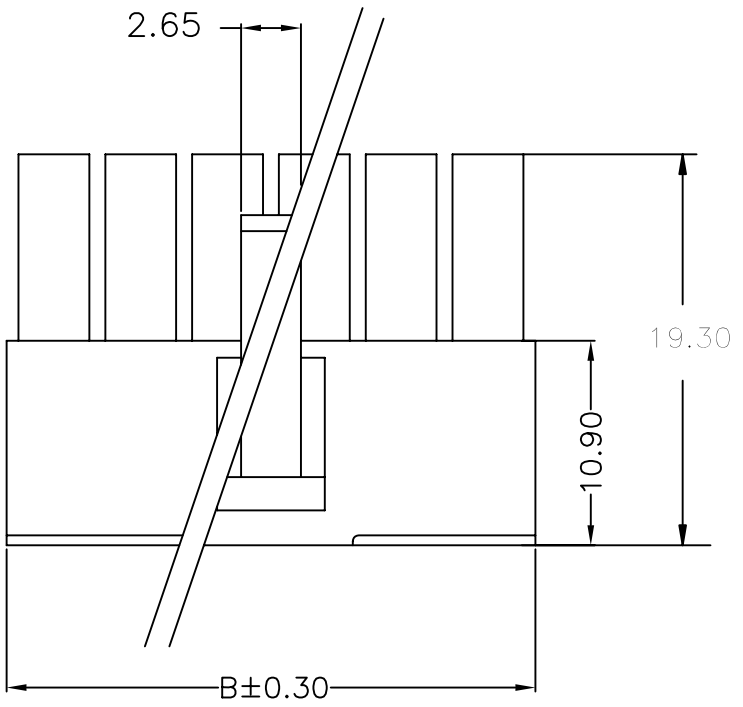


REV.	ECN NO.	DESCRIPTION	DATE	DESIGN
A				



NOTES:  
 CURRENT RATING:9A AC/DC.  
 VOLTAGE RATING:600V AC/DC  
 TEMPERATURE RANGE:-40°C~+105°C.  
 CONTACT RESISTANCE:10MΩ Max.  
 INSULATION RESSTANCE:1000MΩ Min.  
 WITHSTANDING VOLTAGE: 1500V AC/MINUTE.  
 WATRLAL:PA66.UL94V2.



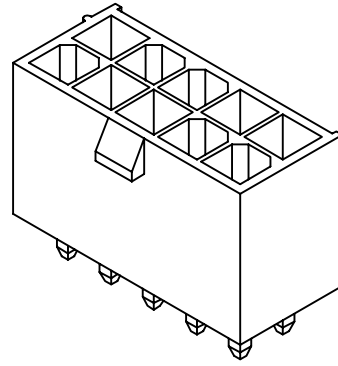
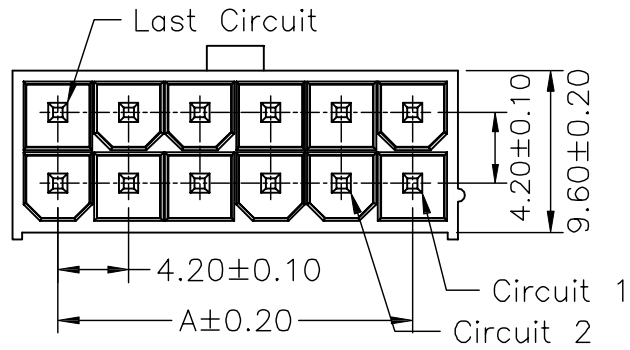
PART NO.	Dimensions	
	A	B
C4255HF-2X01P	/	5.50
C4255HF-2X02P	4.20	9.70
C4255HF-2X03P	8.40	13.90
C4255HF-2X04P	12.60	18.10
C4255HF-2X05P	16.80	22.30
C4255HF-2X06P	21.00	26.50
C4255HF-2X07P	25.20	30.70
C4255HF-2X08P	29.40	34.90
C4255HF-2X09P	33.60	39.10
C4255HF-2X10P	37.80	43.30
C4255HF-2X11P	42.00	47.50
C4255HF-2X12P	46.20	51.70

**CNJM** Joint More Precision electronics Co.,Ltd.

DRAW NO.	DATE	P/N NO:	DRAW NAME:
DESIGN: 陈雪峰	2017.06.03	C4255HF-2XNP	4.2mm pitch housing
CHECK: 杨焯			
REVIEW:		REV.A/1	SCALE 1:1
		UNIT: mm	SHEET 1 OF 1

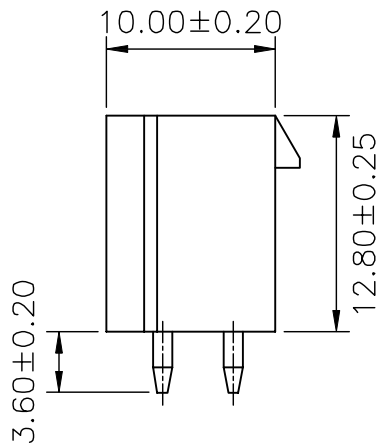
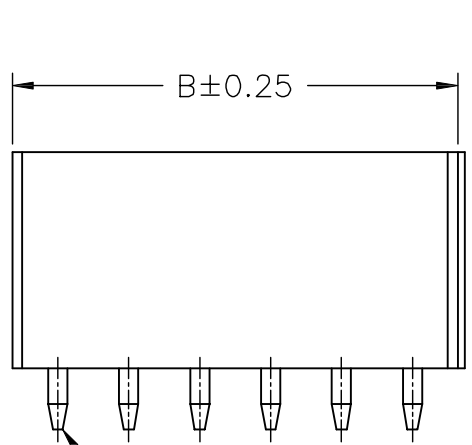
DIM	TOL	DIM	TOL
X.	/	X*	/
X.X	0.25	X.X*	
X.XX	0.15	X.XX*	
X.XXX	0.10	X.XXX*	/

REV.	ECN NO.	DESCRIPTION	DATE	DESIGN
A				

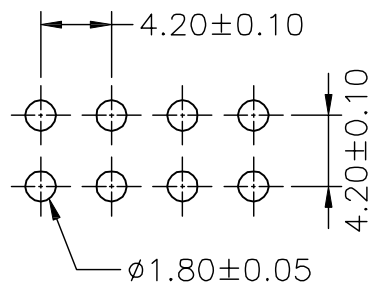


NOTES:

CURRENT RATING:9A AC/DC.  
 VOLTAGE RATING:600V AC/DC  
 TEMPERATURE RANGE:-40°C~+105°C.  
 CONTACT RESISTANCE:10MΩ Max.  
 INSULATION RESISTANCE:1000MΩ Min.  
 WITHSTANDING VOLTAGE: 1500V AC/MINUTE.  
 WATRLAL:PA66.UL94V2.



PART NO.	Dimensions	
	A	B
C4255WV-2X01P	---	5.40
C4255WV-2X02P	4.20	9.60
C4255WV-2X03P	8.40	13.80
C4255WV-2X04P	12.60	18.00
C4255WV-2X05P	16.80	22.20
C4255WV-2X06P	21.00	26.40
C4255WV-2X07P	25.20	30.60
C4255WV-2X08P	29.40	34.80
C4255WV-2X09P	33.60	39.00
C4255WV-2X10P	37.80	43.20
C4255WV-2X11P	42.00	47.40
C4255WV-2X12P	46.20	51.60



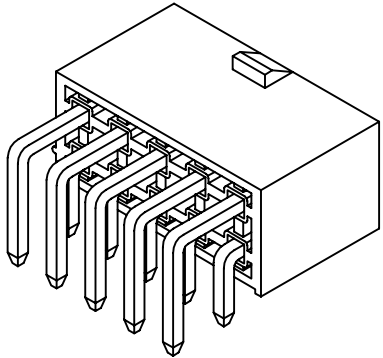
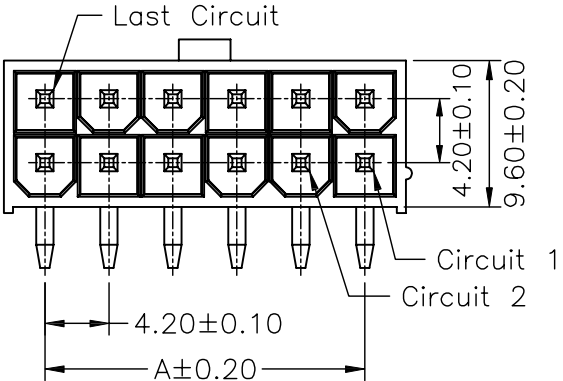
P.C.B LAYOUT

**CNJM** Joint More Precision electronics Co.,Ltd.

DRAW NO.	DATE	P/N NO:	DRAW NAME:
DESIGN: 陈雪峰	2017.06.03	C4255WV-2XNP	4.2mm pitch 180°wafer
CHECK: 杨焯			
REVIEW:		REV. A/1 SCALE 1:1	UNIT: mm SHEET: 1 OF 1

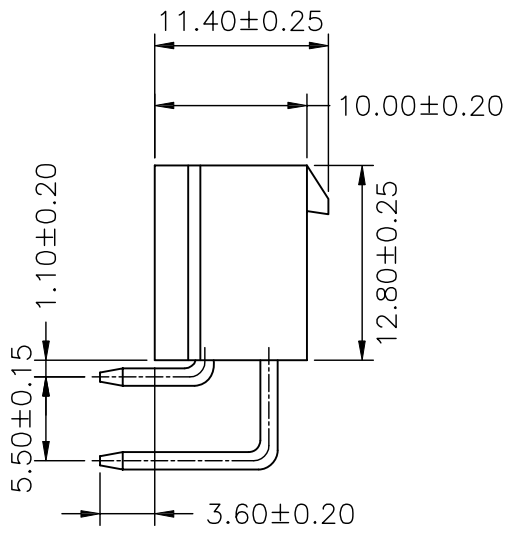
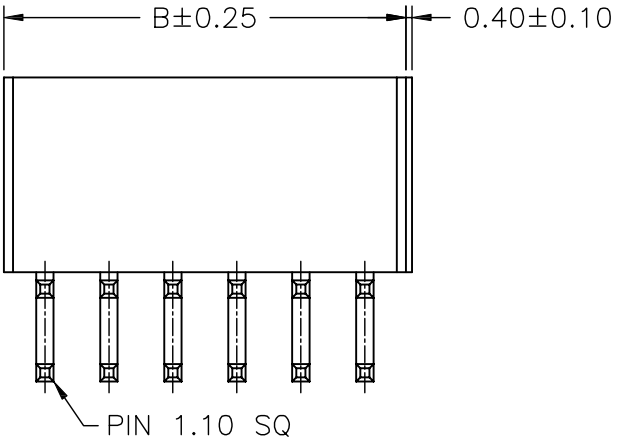
DIM	TOL	DIM	TOL
X.	/	X°	/
X.X	0.25	X.X°	
X.XX	0.15	X.XX°	
X.XXX	0.10	X.XXX°	/

REV.	ECN NO.	DESCRIPTION	DATE	DESIGN
A				

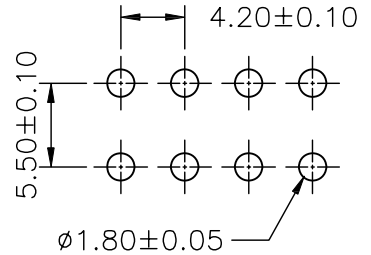


NOTES:

CURRENT RATING:9A AC/DC.  
 VOLTAGE RATING:600V AC/DC  
 TEMPERATURE RANGE:-40°C~+105°C.  
 CONTACT RESISTANCE:10MΩ Max.  
 INSULATION RESISTANCE:1000MΩ Min.  
 WITHSTANDING VOLTAGE: 1500V AC/MINUTE.  
 WATRLAL:PA66.UL94V2.



PART NO.	Dimensions	
	A	B
C4255WR-2X01P	---	5.40
C4255WR-2X02P	4.20	9.60
C4255WR-2X03P	8.40	13.80
C4255WR-2X04P	12.60	18.00
C4255WR-2X05P	16.80	22.20
C4255WR-2X06P	21.00	26.40
C4255WR-2X07P	25.20	30.60
C4255WR-2X08P	29.40	34.80
C4255WR-2X09P	33.60	39.00
C4255WR-2X10P	37.80	43.20
C4255WR-2X11P	42.00	47.40
C4255WR-2X12P	46.20	51.60



P.C.B LAYOUT

DIM	TOL	DIM	TOL
X.	/	X*	/
X.X	0.25	X.X*	/
X.XX	0.15	X.XX*	/
X.XXX	0.10	X.XXX*	/

**CNJM** Joint More Precision electronics Co.,Ltd.

DRAW NO.	DATE	P/N NO.	DRAW NAME:
DESIGN: 陈雪峰	2017.06.03	C4255WR-2XNP	4.2mm pitch 90°wafer
CHECK: 杨 焯			
REVIEW:		REV.A/1	SCALE 1:1
		UNIT: mm	SHEET: 1 OF 1