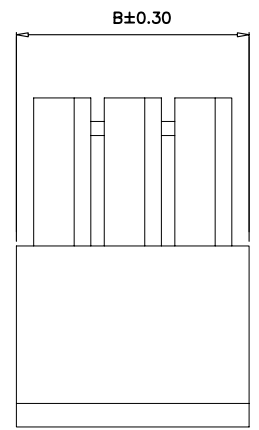
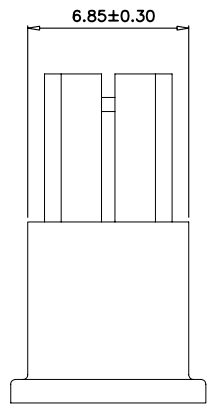
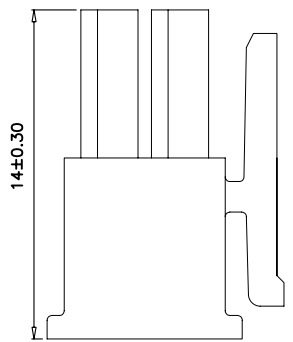


| | | | | |
|------|---------|-------------|------|--------|
| REV. | ECN NO. | DESCRIPTION | DATE | DESIGN |
| A | | | | |

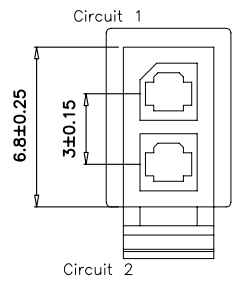
| 产品名称 | A | B |
|---------------|-------|-------|
| C3030HF-2X01P | ----- | 3.85 |
| C3030HF-2X02P | 3.00 | 6.85 |
| C3030HF-2X03P | 6.00 | 9.90 |
| C3030HF-2X04P | 9.00 | 12.90 |
| C3030HF-2X05P | 12.00 | 15.90 |
| C3030HF-2X06P | 15.00 | 18.90 |
| C3030HF-2X07P | 18.00 | 21.90 |
| C3030HF-2X08P | 21.00 | 24.90 |
| C3030HF-2X09P | 24.00 | 28.00 |
| C3030HF-2X10P | 27.00 | 31.00 |
| C3030HF-2X11P | 30.00 | 34.00 |
| C3030HF-2X12P | 33.00 | 37.00 |



2X3P-2X12P



2X2P



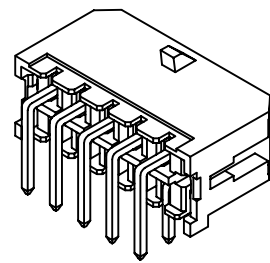
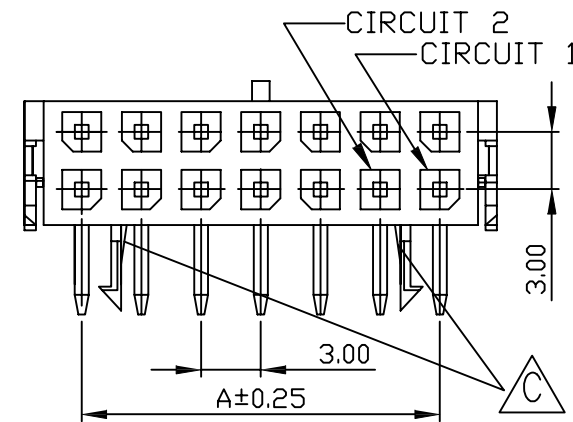
2X1P

Specifications:
 Current rating:5A AC/DC.
 Voltage rating:250V AC/DC
 Temperature range:-40°C~+105°C.
 Contact resistance:10MΩ Max.
 Insulation resistance:1000MΩ Min.
 Withstanding voltage: 1500V AC/minute.
 Material:PA66.UL94V-2.

CNJM Joint More Precision electronics Co.,Ltd.

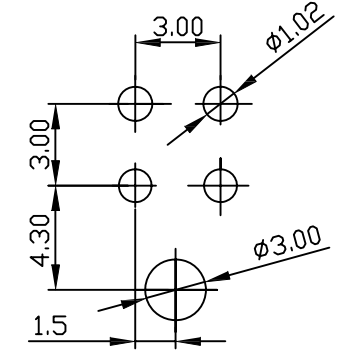
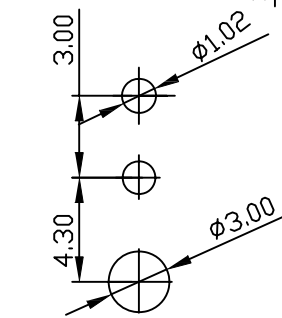
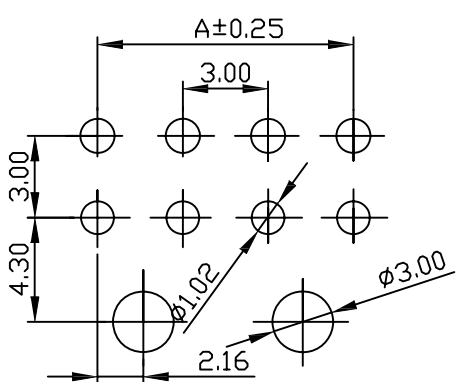
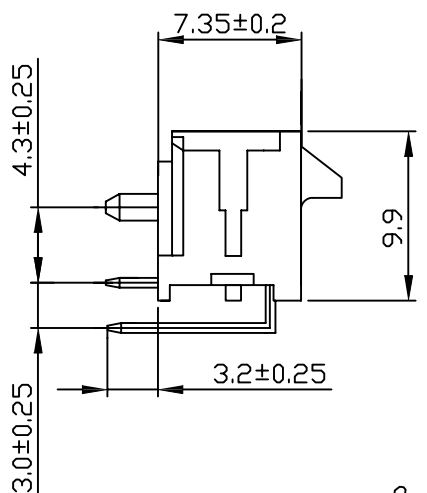
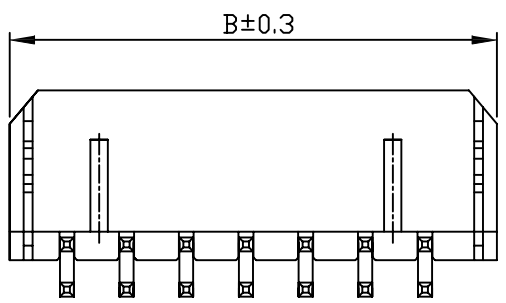
| | | | | | | | | | | | | | | | | | | | | |
|---|------|--------|------------|--------------|---------------------|------|------------|--------|----|--|--|---------|--|--|--|----------|-----------|----------|---------------|---|
| DIM | TOL | DIM | TOL | P/N NO: | DRAW NAME: | | | | | | | | | | | | | | | |
| X. | / | X. | / | C3030HF-2XNP | 3.0mm pitch housing | | | | | | | | | | | | | | | |
| X.X | 0.25 | X.X. | / | | | | | | | | | | | | | | | | | |
| X.XX | 0.15 | X.XX. | / | | | | | | | | | | | | | | | | | |
| X.XXX | 0.10 | X.XXX. | / | | | | | | | | | | | | | | | | | |
| <table border="1"> <tr> <td>DESIGN:</td> <td>陈雪峰</td> <td>DATE</td> <td>2017.06.03</td> </tr> <tr> <td>CHECK:</td> <td>杨焯</td> <td></td> <td></td> </tr> <tr> <td>REVIEW:</td> <td></td> <td></td> <td></td> </tr> </table> | | | | DESIGN: | 陈雪峰 | DATE | 2017.06.03 | CHECK: | 杨焯 | | | REVIEW: | | | | REV. A/1 | SCALE 1:1 | UNIT: mm | SHEET: 1 OF 1 | ⊕ |
| DESIGN: | 陈雪峰 | DATE | 2017.06.03 | | | | | | | | | | | | | | | | | |
| CHECK: | 杨焯 | | | | | | | | | | | | | | | | | | | |
| REVIEW: | | | | | | | | | | | | | | | | | | | | |

| REV | ECN NO. | DESCRIPTION | DATE | DESIGN |
|-----|---------|-------------|------|--------|
| A | | | | |



NOTES:

CURRENT RATING:5A AC/DC.
 VOLTAGE RATING:250V AC/DC
 TEMPERATURE RANGE:-20°C~+85°C.
 CONTACT RESISTANCE:30MΩ Max.
 INSULATION RESISTANCE:1000MΩ Min.
 WITHSTANDING VOLTAGE: 1500V AC/MINUTE.
 MATERIAL:Niyon 66.UL94V-0.



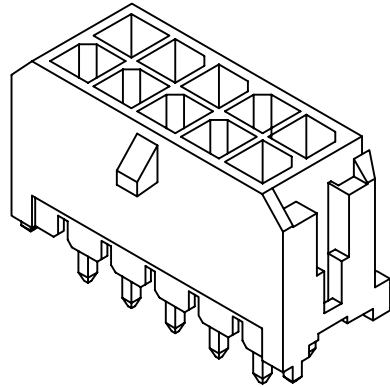
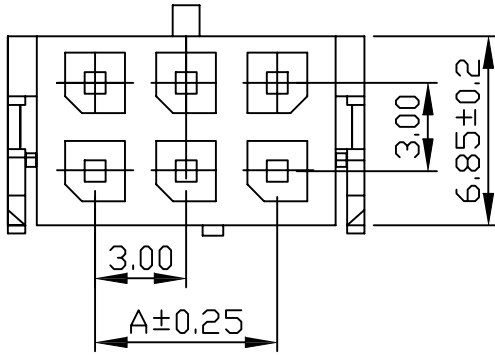
| PART NO. | DIMENSIONS | |
|---------------|------------|-------|
| | A | B |
| C3030WR-2X01P | --- | 6.65 |
| C3030WR-2X02P | 3.00 | 9.65 |
| C3030WR-2X03P | 6.00 | 12.65 |
| C3030WR-2X04P | 9.00 | 15.65 |
| C3030WR-2X05P | 12.00 | 18.65 |
| C3030WR-2X06P | 15.00 | 21.65 |
| C3030WR-2X07P | 18.00 | 24.65 |
| C3030WR-2X08P | 21.00 | 27.65 |
| C3030WR-2X09P | 24.00 | 30.65 |
| C3030WR-2X10P | 27.00 | 33.65 |
| C3030WR-2X11P | 30.00 | 36.65 |
| C3030WR-2X12P | 33.00 | 39.65 |

CNJM Joint More Precision electronics Co.,Ltd.

| | | | | |
|-----------|-------------|------------------|----------------------|----------------------------------|
| DRAW NO. | DESIGN: 陈雪峰 | DATE: 2017.06.03 | P/N NO: C3030WR-2XNP | DRAW NAME: 3.0mm pitch 90° wafer |
| CHECK: 杨焯 | REVIEW: | REV.A/1 | SCALE 1:1 | UNIT: mm |
| | | | SHEET: 1 OF 1 | |

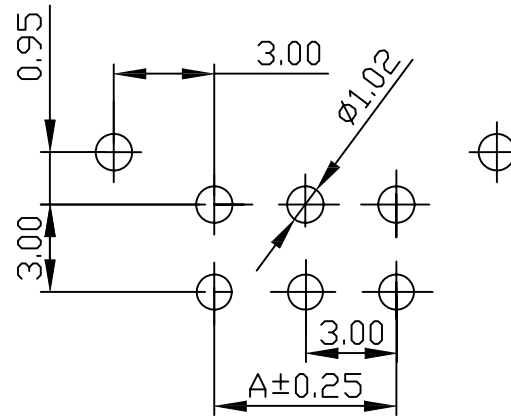
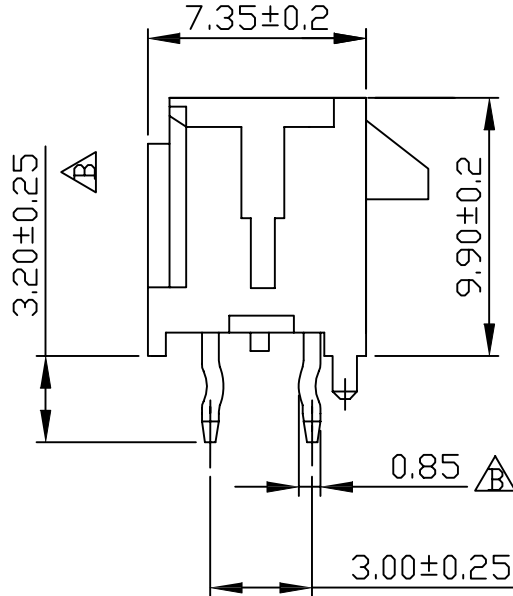
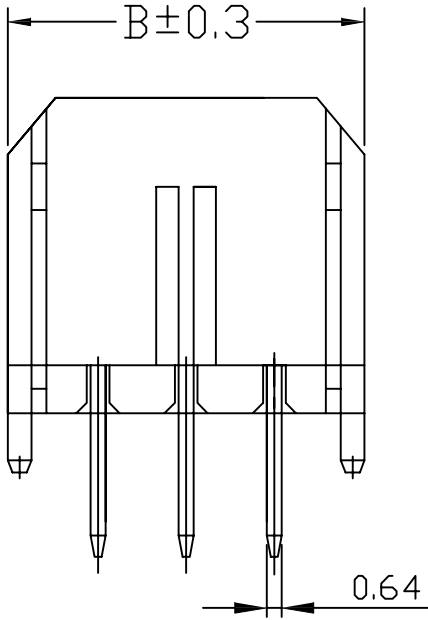
| DIM | TOL | DIM | TOL |
|-------|------|--------|-----|
| X. | / | X* | / |
| X.X | 0.25 | X.X* | |
| X.XX | 0.15 | X.XX* | |
| X.XXX | 0.10 | X.XXX* | / |

| REV. | ECN NO. | DESCRIPTION | DATE | DESIGN |
|------|---------|-------------|------|--------|
| A | | | | |



NOTES:

CURRENT RATING:5A AC/DC.
 VOLTAGE RATING:250V AC/DC
 TEMPERATURE RANGE:-20°C~+85°C.
 CONTACT RESISTANCE:30MΩ Max.
 INSULATION RESISTANCE:1000MΩ Min.
 WITHSTANDING VOLTAGE: 1500V AC/MINUTE.
 MATERIAL:Niyon 66.UL94V-0.



P.C.B LAYOUT

| PART NO. | DIMENSIONS | |
|---------------|------------|-------|
| | A | B |
| C3030WV-2X01P | -- | 6.65 |
| C3030WV-2X02P | 3.00 | 9.65 |
| C3030WV-2X03P | 6.00 | 12.65 |
| C3030WV-2X04P | 9.00 | 15.65 |
| C3030WV-2X05P | 12.00 | 18.65 |
| C3030WV-2X06P | 15.00 | 21.65 |
| C3030WV-2X07P | 18.00 | 24.65 |
| C3030WV-2X08P | 21.00 | 27.65 |
| C3030WV-2X09P | 24.00 | 30.65 |
| C3030WV-2X10P | 27.00 | 33.65 |
| C3030WV-2X11P | 30.00 | 36.65 |
| C3030WV-2X12P | 33.00 | 39.65 |

CNJM Joint More Precision electronics Co.,Ltd.

| | | | |
|-------------|------------|--------------|-----------------------|
| DRAW NO. | DATE | P/N NO: | DRAW NAME: |
| DESIGN: 陈雪峰 | 2017.06.03 | C3030WR-2XNP | 3.0mm pitch 90° wafer |
| CHECK: 杨焯 | | | |
| REVIEW: | | REV.A/1 | SCALE 1:1 |

| DIM | TOL | DIM | TOL |
|-------|------|--------|-----|
| X. | / | X* | / |
| X.X | 0.25 | X.X* | / |
| X.XX | 0.15 | X.XX* | / |
| X.XXX | 0.10 | X.XXX* | / |

UNIT: mm SHEET 1 OF 1