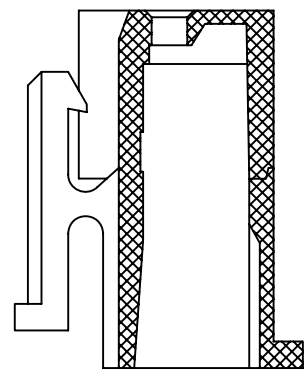
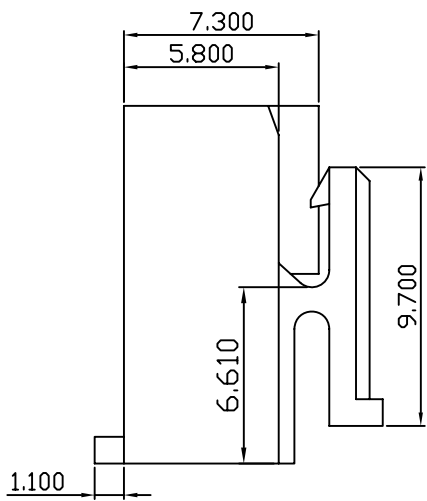
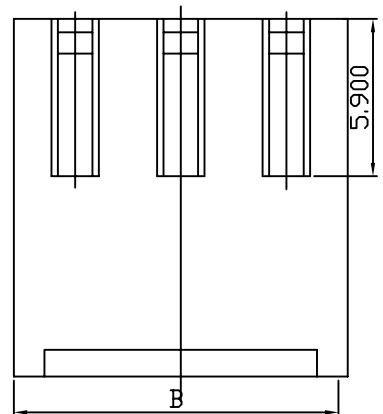
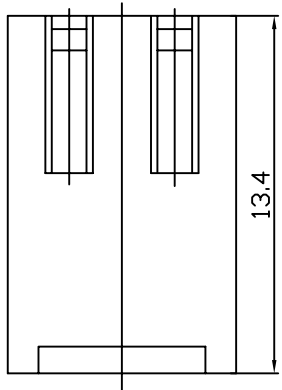
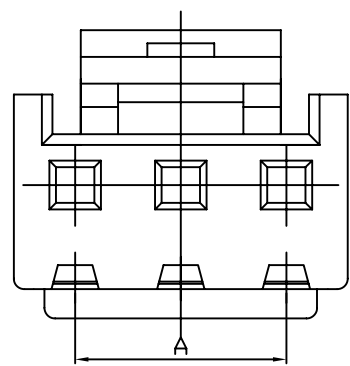
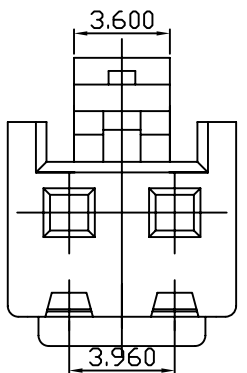


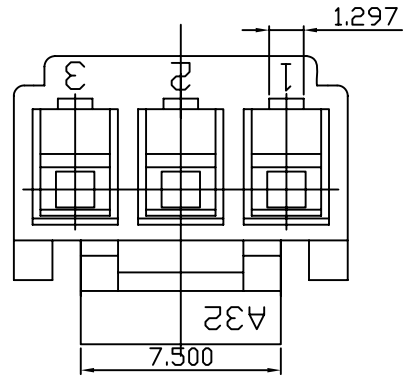
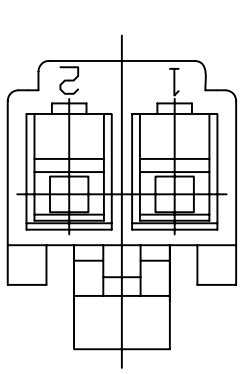
REV.	ECN NO.	DESCRIPTION	DATE	DESIGN
A				



SECTION A-A

Specifications:
 Current rating:7A AC/DC.
 Voltage rating:250V AC/DC
 Temperature range:-40?~+105?.
 Contact resistance:10MΩ Max.
 Insulation resistance:1000MΩ Min.
 Withstanding voltage: 1500V AC/minute.
 Material:PA66,UL94V-0.

PART NO.	Dimensions	
	A	B
A3961H-02P	3.96	8.56
A3961H-03P	7.92	12.52
A3961H-04P	11.88	16.48
A3961H-05P	15.84	20.44
A3961H-06P	19.80	24.40
A3961H-07P	23.76	28.36
A3961H-08P	27.72	32.32
A3961H-09P	31.68	36.28
A3961H-10P	35.64	40.24
A3961H-11P	39.60	44.20
A3961H-12P	43.56	48.16
A3961H-13P	47.52	52.12
A3961H-14P	51.48	56.08
A3961H-15P	55.44	60.04
A3961H-16P	59.40	64.00



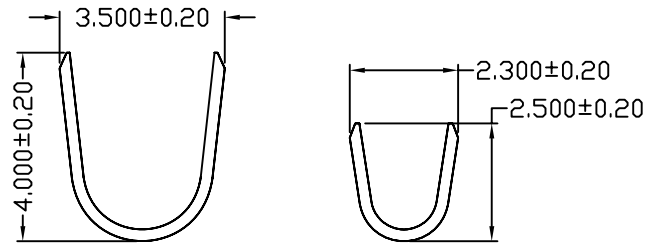
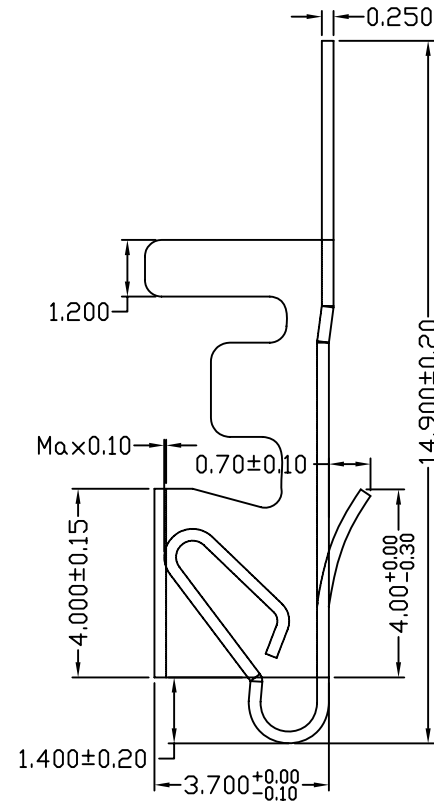
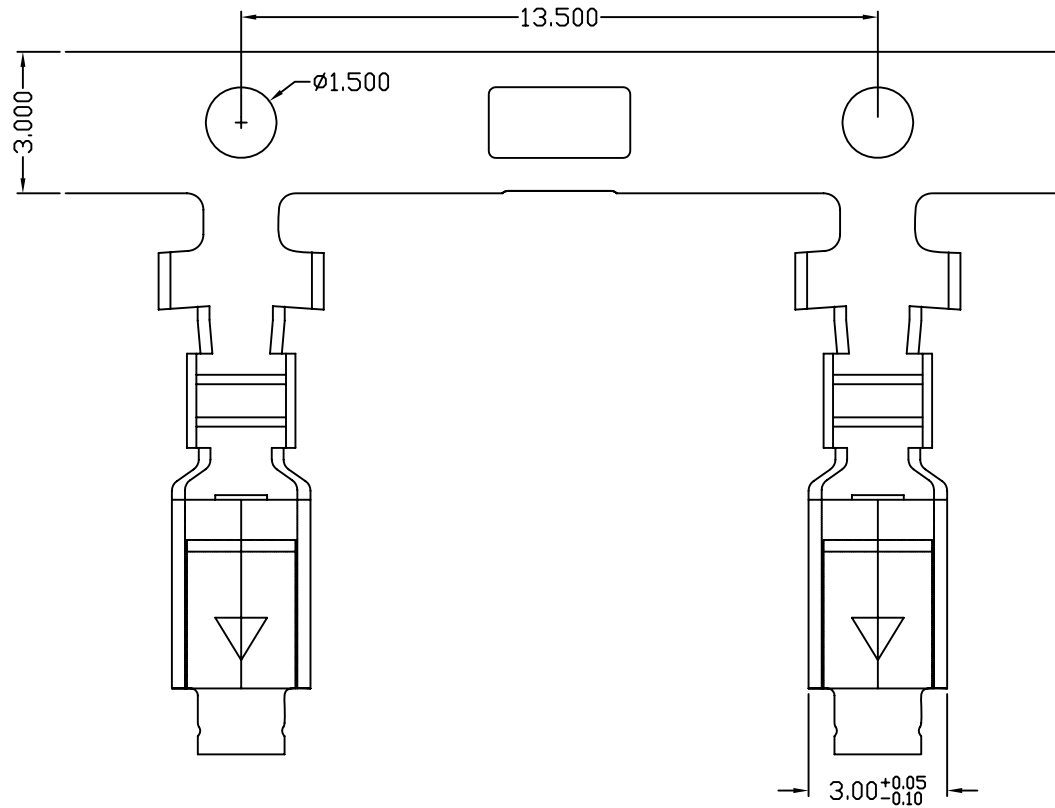
2P

CNJM Joint More Precision electronics Co.,Ltd.

DRAW NO.	DATE	P/N NO:	DRAW NAME:
DESIGN: 陈雪峰	2017.06.03	A3961H-NP	3.96mm pitch housing
CHECK: 杨焯			
REVIEW:		REV.A/1	SCALE 1:1
		UNIT: mm	SHEET 1 OF 1

DIM	TOL	DIM	TOL
X.	/	X*	/
X.X	0.25	X.X*	
X.XX	0.15	X.XX*	
X.XXX	0.10	X.XXX*	/

REV.	ECN NO.	DESCRIPTION	DATE	DESIGN
A				



CNJM Joint More Precision electronics Co.,Ltd.

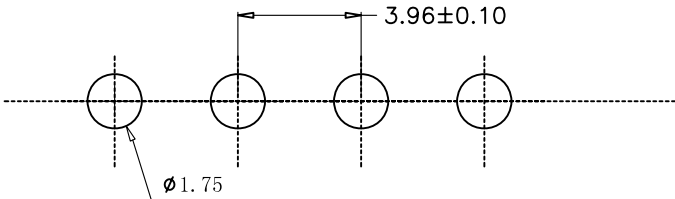
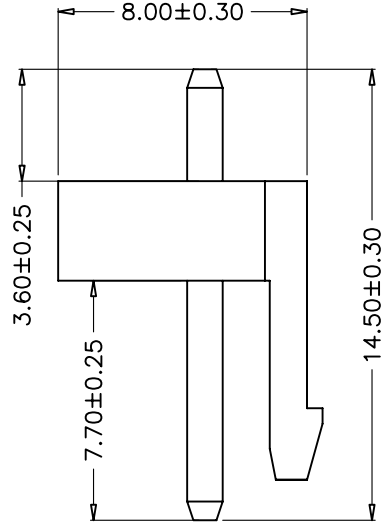
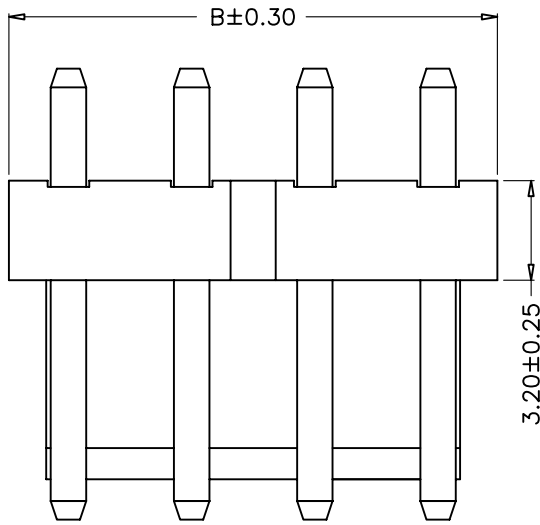
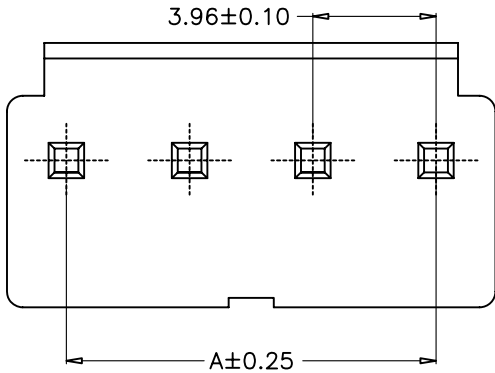
Part NO.	Wire range	Insulation O.D.	Materials	Finish	Qty/reel
A3961-TB	AWG#18-22	3.0mm(max)	Brass	Tin-plated	3000PCS
A30961-TP	AWG#18-22	3.0mm(max)	Phosphor Bronze	Tin-plated	3000PCS

DIM	TOL	DIM	TOL
X.	/	X*	/
X.X	0.25	X.X*	
X.XX	0.15	X.XX*	
X.XXX	0.10	X.XXX*	/

DRAW NO.	DATE	P/N NO.	DRAW NAME:
DESIGN: 陈雪峰	2017.06.03	A3961-XXX	3.96mm pitch terminal
CHECK: 杨 焯			
REVIEW:		REV.A/1	SCALE 1:1

UNIT: mm SHEET: 1 OF 1

REV.	ECN NO.	DESCRIPTION	DATE	DESIGN
A				



P.C.B LAYOUT

NOTES:

CURRENT RATING:7A AC/DC.
 VOLTAGE RATING:250V AC/DC
 TEMPERATURE RANGE:-40°C~+105°C.
 CONTACT RESISTANCE:10MΩ Max.
 INSULATION RESISTANCE:1000MΩ Min.
 WITHSTANDING VOLTAGE: 1500V AC/MINUTE.
 WATRLAL:PA66.UL94V-2.

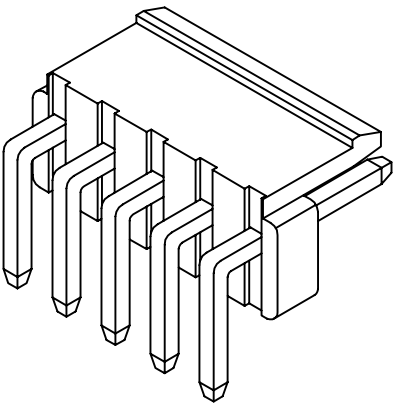
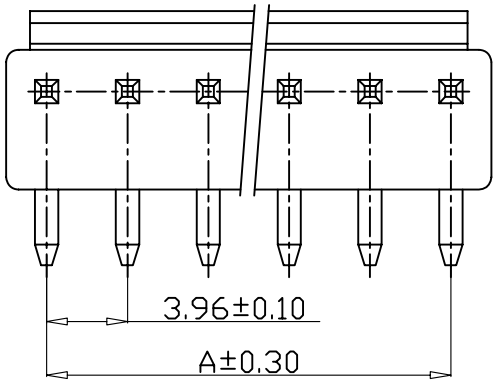
PART NO.	Dimensions	
	A	B
A3961WV-02P	3.96	7.90
A3961WV-03P	7.92	11.85
A3961WV-04P	11.88	15.84
A3961WV-05P	15.84	19.80
A3961WV-06P	19.80	23.76
A3961WV-07P	23.76	27.72
A3961WV-08P	27.72	31.68
A3961WV-09P	31.68	35.64
A3961WV-10P	35.64	39.60
A3961WV-11P	39.60	43.56
A3961WV-12P	43.56	47.52
A3961WV-13P	47.52	51.48
A3961WV-14P	51.48	55.44
A3961WV-15P	55.44	59.40

CNJM Joint More Precision electronics Co.,Ltd.

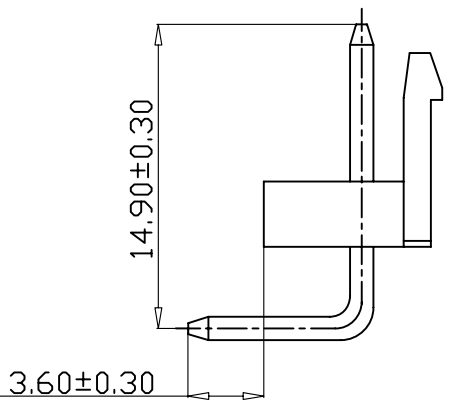
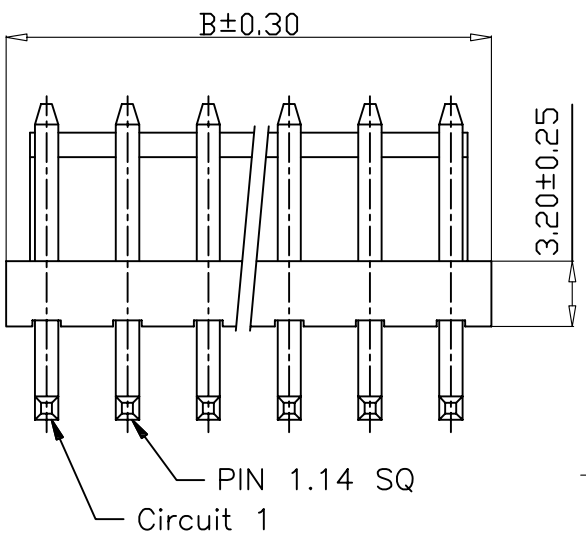
DRAW NO.	DATE	P/N NO:	DRAW NAME:
DESIGN: 陈雪峰	2017.06.03	A3961WV-NP	3.96mm pitch wafer
CHECK: 杨焯		REV. A/1	SCALE 1:1
REVIEW:		UNIT: mm	SHEET: 1 OF 1

DIM	TOL	DIM	TOL
X.	/	X.	/
X.X	0.25	X.X.	/
X.XX	0.15	X.XX.	/
X.XXX	0.10	X.XXX.	/

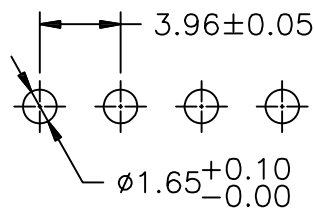
REV.	ECN NO.	DESCRIPTION	DATE	DESIGN
A				



NOTES:
 CURRENT RATING:7A AC/DC.
 VOLTAGE RATING:250V AC/DC
 TEMPERATURE RANGE:-40°C~+105°C.
 CONTACT RESISTANCE:10MΩ Max.
 INSULATION RESISTANCE:1000MΩ Min.
 WITHSTANDING VOLTAGE: 1500V AC/MINUTE.
 WATRLAL:PA66.UL94V-2.



PART NO.	Dimensions	
	A	B
A3961WR-02P	3.96	7.90
A3961WR-03P	7.92	11.85
A3961WR-04P	11.88	15.84
A3961WR-05P	15.84	19.80
A3961WR-06P	19.80	23.76
A3961WR-07P	23.76	27.72
A3961WR-08P	27.72	31.68
A3961WR-09P	31.68	35.64
A3961WR-10P	35.64	39.60
A3961WR-11P	39.60	43.56
A3961WR-12P	43.56	47.52
A3961WR-13P	47.52	51.48
A3961WR-14P	51.48	55.44
A3961WR-15P	55.44	59.40



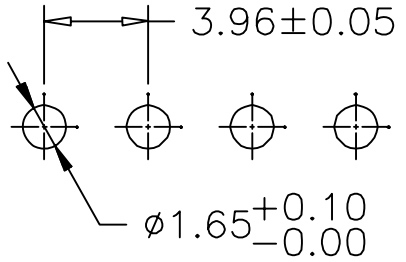
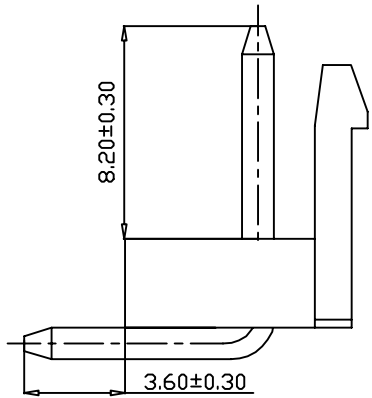
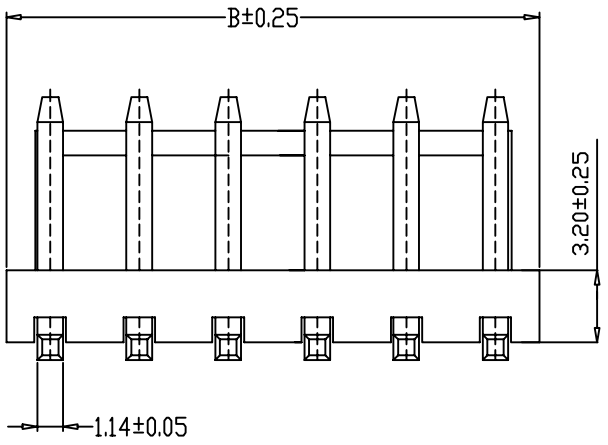
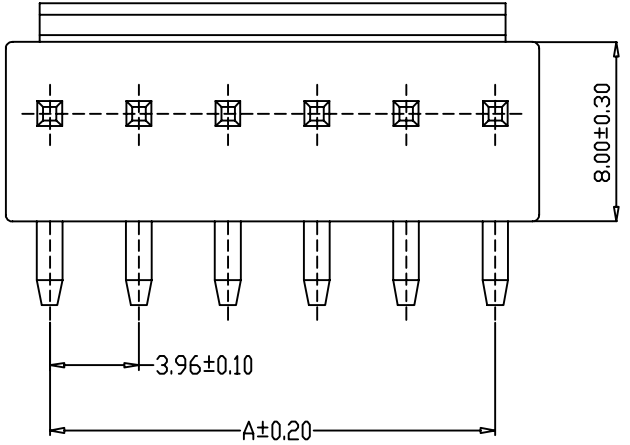
P.C.B LAYOUT

CNJM Joint More Precision electronics Co.,Ltd.

DESIGN:	CHECK:	REVIEW:	DATE:	P/N NO.:	SCALE:	UNIT:	SHEET:
陈雪峰	杨焯		2017.06.03	A3961WR-NP	1:1	mm	1 OF 1

DIM	TOL	DIM	TOL
X.	/	X*	/
X.X	0.25	X.X*	
X.XX	0.15	X.XX*	
X.XXX	0.10	X.XXX*	/

REV.	ECN NO.	DESCRIPTION	DATE	DESIGN
A				



P.C.B LAYOUT

NOTES:

CURRENT RATING:7A AC/DC.
 VOLTAGE RATING:250V AC/DC
 TEMPERATURE RANGE:-40°C~+105°C.
 CONTACT RESISTANCE:10MΩ Max.
 INSULATION RESISTANCE:1000MΩ Min.
 WITHSTANDING VOLTAGE: 1500V AC/MINUTE.
 WATRLAL:PA66.UL94V-2.

PART NO.	Dimensions	
	A	B
A3961WVR-02P	3.96	7.90
A3961WVR-03P	7.92	11.85
A3961WVR-04P	11.88	15.84
A3961WVR-05P	15.84	19.80
A3961WVR-06P	19.80	23.76
A3961WVR-07P	23.76	27.72
A3961WVR-08P	27.72	31.68
A3961WVR-09P	31.68	35.64
A3961WVR-10P	35.64	39.60
A3961WVR-11P	39.60	43.56
A3961WVR-12P	43.56	47.52
A3961WVR-13P	47.52	51.48
A3961WVR-14P	51.48	55.44
A3961WVR-15P	55.44	59.40

CNJM Joint More Precision electronics Co.,Ltd.

DRAW NO.	DATE	P/N NO:	DRAW NAME:
DESIGN: 陈雪峰	2017.05.10	A3961WVR-NP	3.96mm pitch wafer平弯
CHECK: 杨焯		REV. A/1	SCALE 1:1
REVIEW:		UNIT: mm	SHEET: 1 OF 1

DIM	TOL	DIM	TOL
X.	/	X°	/
X.X	0.25	X.X*	
X.XX	0.15	X.XX*	
X.XXX	0.10	X.XXX*	/