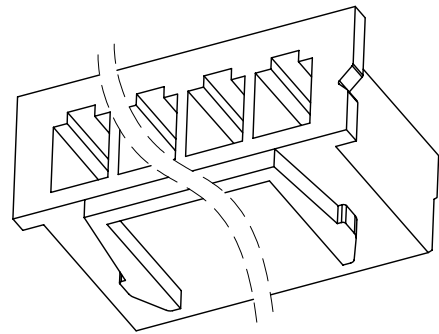
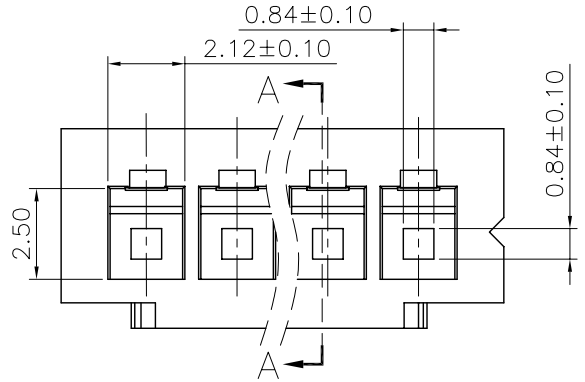
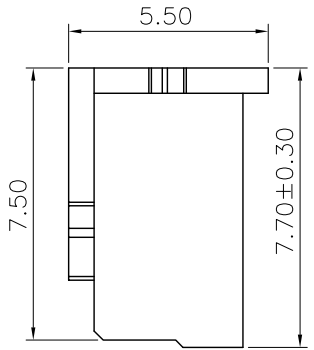
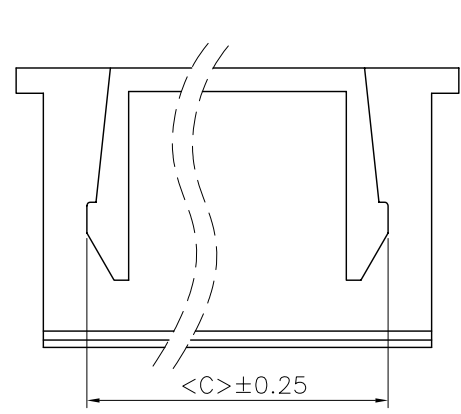


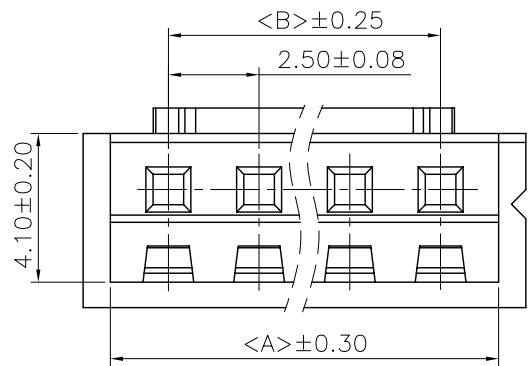
REV.	ECN NO.	DESCRIPTION	DATE	DESIGN
A				



Specifications:
 Current rating:3A AC/DC.
 Voltage rating:250V AC/DC
 Temperature range:-40°C~+105°C.
 Contact resistance:10MΩ Max.
 Insulation resistance:1000MΩ Min.
 Withstanding voltage: 800V AC/minute.
 Material:PA66.UL94V-0.



PART NO.	DIMENSIONS		
	A	B	C
A2501H-02P	5.7	2.5	3.3
A2501H-03P	8.2	5.0	5.8
A2501H-04P	10.7	7.5	8.3
A2501H-05P	13.2	10.0	10.8
A2501H-06P	15.7	12.5	13.3
A2501H-07P	18.2	15.0	15.8
A2501H-08P	20.7	17.5	18.3
A2501H-09P	23.2	20.0	20.8
A2501H-10P	25.7	22.5	23.3
A2501H-11P	28.2	25.0	25.8
A2501H-12P	30.7	27.5	28.3
A2501H-13P	33.2	30.0	30.8
A2501H-14P	35.7	32.5	33.3
A2501H-15P	38.2	35.0	35.8
A2501H-16P	40.7	37.5	38.3

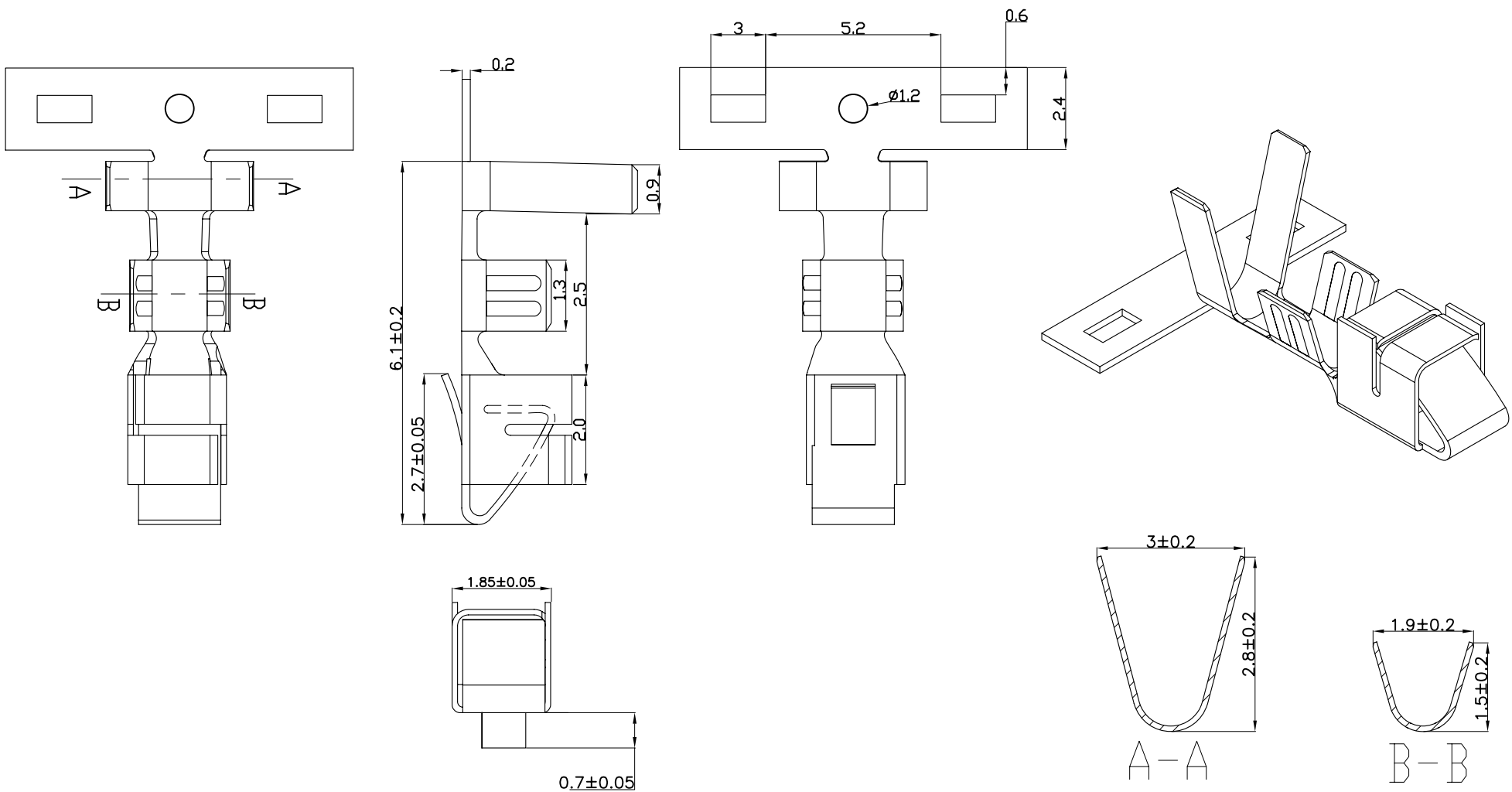


CNJM Joint More Precision electronics Co.,Ltd.

DIM	TOL	DIM	TOL
X.	/	X'	/
X.X	0.25	X.X'	/
X.XX	0.15	X.XX'	/
X.XXX	0.10	X.XXX'	/

DRAW NO.	DATE	P/N NO:	DRAW NAME:
DESIGN: 陈雪峰	2017.06.03	A2501H-NP	2.5mm pitch housing
CHECK: 杨焯			
REVIEW:		REV. A/1	SCALE 1:1
		UNIT: mm	SHEET: 1 OF 1

REV.	ECN NO.	DESCRIPTION	DATE	DESIGN
A				



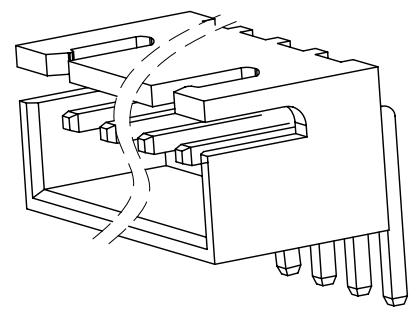
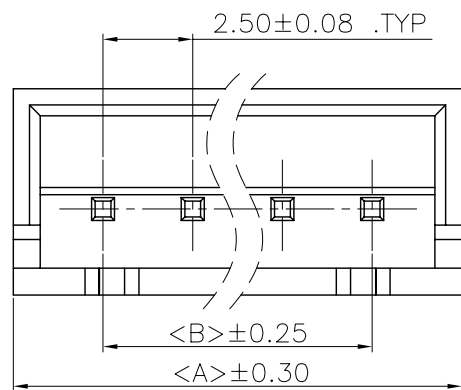
CNJM Joint More Precision electronics Co.,Ltd.

Part NO.	Wire range	Insulation O.D.	Materials	Finish	Qty/reel
A2501-TP	AWG#22-28	1.9mm(max)	Phosphor Bronze	Tin-plated	7000PCS
A2501-TPE	AWG#22-28	1.9mm(max)	Phosphor Bronze	Tin-plated	7000PCS

DIM	TOL	DIM	TOL
X.	/	X*	/
X.X	0.25	X.X*	
X.XX	0.15	X.XX*	
X.XXX	0.10	X.XXX*	/

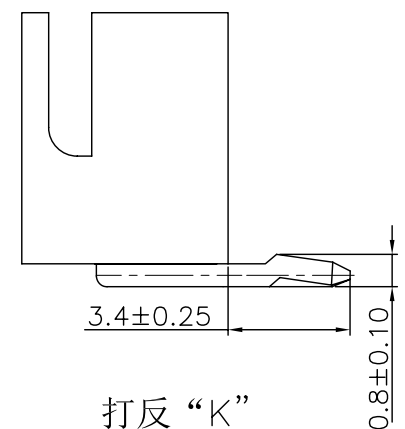
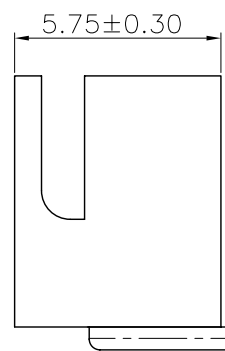
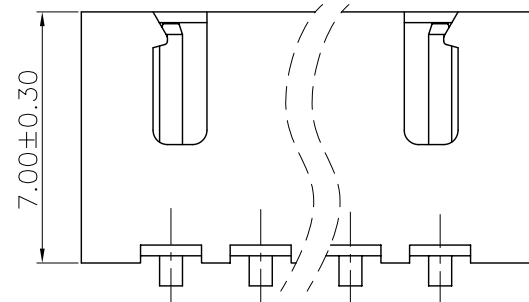
DRAW NO.	DATE	P/N NO.	DRAW NAME:
DESIGN: 陈雪峰	2017.06.03	A2501-XXX	2.5mm pitch Terminal
CHECK: 杨焯			
REVIEW:		REV. A/1	SCALE 1:1
		UNIT: mm	SHEET: 1 OF 1

REV.	ECN NO.	DESCRIPTION	DATE	DESIGN
A				



Specifications:
 Current rating:3A AC/DC.
 Voltage rating:250V AC/DC
 Temperature range:-40°C~+105°C.
 Contact resistance:10MΩ Max.
 Insulation resistance:1000MΩ Min.
 Withstanding voltage: 800V AC/minute.
 Material:PA66.Ul94V-0.

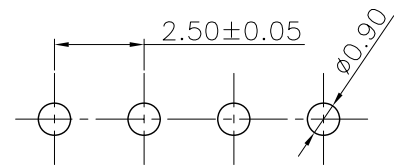
PART NO.	Dimensions	
	A	B
A2501WVR-02P	7.50	2.50
A2501WVR-03P	10.00	5.00
A2501WVR-04P	12.50	7.50
A2501WVR-05P	15.00	10.00
A2501WVR-06P	17.50	12.50
A2501WVR-07P	20.00	15.00
A2501WVR-08P	22.50	17.50
A2501WVR-09P	25.00	20.00
A2501WVR-10P	27.50	22.50
A2501WVR-11P	30.00	25.00
A2501WVR-12P	32.50	27.50
A2501WVR-13P	35.00	30.00
A2501WVR-14P	37.50	32.50
A2501WVR-15P	40.00	35.00
A2501WVR-16P	42.50	37.50



Recommended P.C.B Layout(Top Side)
 P.C.B Thickness = 1.20mm
 (Tolerance=±0.05)

无“K”

打反“K”



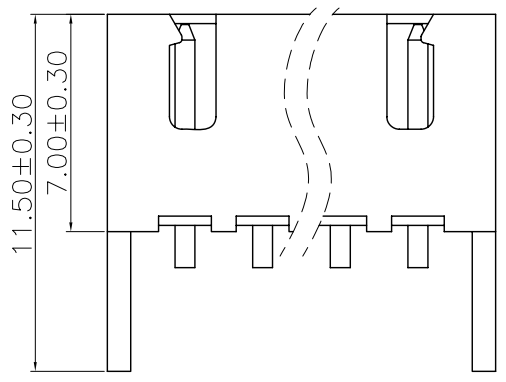
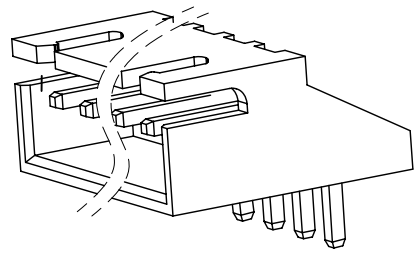
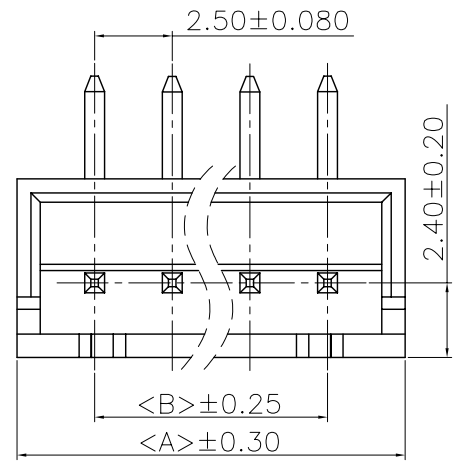
CNJM Joint More Precision electronics Co.,Ltd.

DRAW NO.	DATE	P/N NO:	DRAW NAME:
DESIGN: 陈雪峰	2017.06.03	A2501WVR-NP	2.5mm pitch wafer平弯
CHECK: 杨焯			
REVIEW:		REV. A/1	SCALE 1:1
		UNIT: mm	SHEET: 1 of 1

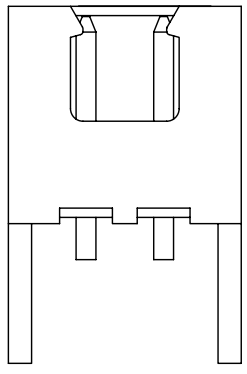
DIM	TOL	DIM	TOL
X.	/	X'	/
X.X	0.25	X.X'	/
X.XX	0.15	X.XX'	/
X.XXX	0.10	X.XXX'	/

REV.	ECN NO.	DESCRIPTION	DATE	DESIGN
A				

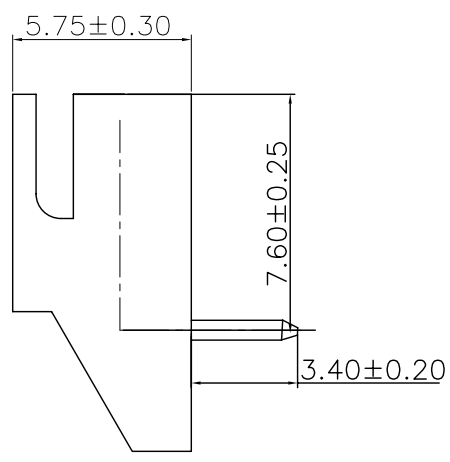
Specifications:
 Current rating:3A AC/DC.
 Voltage rating:250V AC/DC
 Temperature range:-40°C~+105°C.
 Contact resistance:10MΩ Max.
 Insulation resistance:1000MΩ Min.
 Withstanding voltage: 800V AC/minute.
 Material:PA66.UL94V-0.



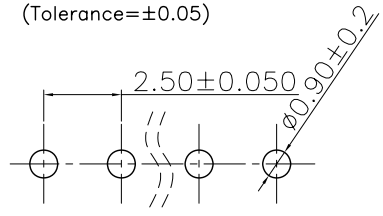
Recommended P.C.B Layout(Top Side)
 P.C.B Thickness = 1.20mm
 (Tolerance=±0.05)



2P视图



PART NO.	Dimensions	
	A	B
A2501WRR-02P	7.50	2.50
A2501WRR-03P	10.00	5.00
A2501WRR-04P	12.50	7.50
A2501WRR-05P	15.00	10.00
A2501WRR-06P	17.50	12.50
A2501WRR-07P	20.00	15.00
A2501WRR-08P	22.50	17.50
A2501WRR-09P	25.00	20.00
A2501WRR-10P	27.50	22.50
A2501WRR-11P	30.00	25.00
A2501WRR-12P	32.50	27.50
A2501WRR-13P	35.00	30.00
A2501WRR-14P	37.50	32.50
A2501WRR-15P	40.00	35.00
A2501WRR-16P	42.50	37.50



DIM	TOL	DIM	TOL
X.	/	X'.	/
X.X	0.25	X.X'	/
X.XX	0.15	X.XX'	/
X.XXX	0.10	X.XXX'	/

CNJM Joint More Precision electronics Co.,Ltd.

DRAW NO.	DATE	P/N NO:	DRAW NAME:
DESIGN: 陈雪峰	2017.06.03	A2501WRR-NP	2.5mm pitch wafer平弯
CHECK: 杨焯			
REVIEW:		REV. A/1	SCALE 1:1
		UNIT: mm	SHEET: 1 of 1