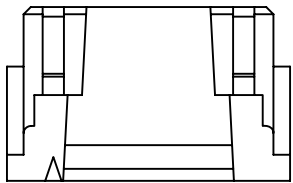
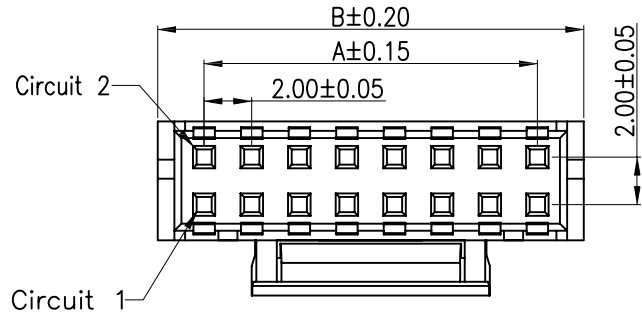


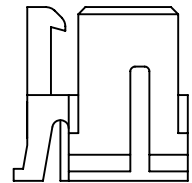
REV.	ECN NO.	DESCRIPTION	DATE	DESIGN
A		变更料号	16/11/22	苏亮

NOTES:

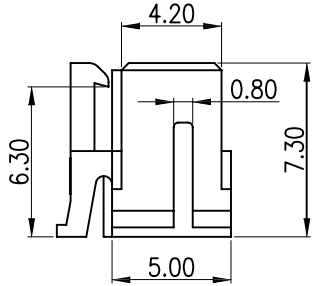
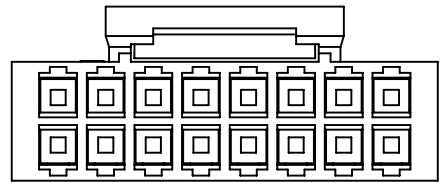
CURRENT RATING:3A AC/DC.  
 VOLTAGE RATING:250V AC/DC  
 TEMPERATURE RANGE:-40°C~+105°C.  
 CONTACT RESISTANCE:10MΩ Max.  
 INSULATION RESISTANCE:1000MΩ Min.  
 WITHSTANDING VOLTAGE: 800V AC/MINUTE.  
 MATERIAL:PA66.UL94V-0.



2X02~2X06P



2X07~2X23P



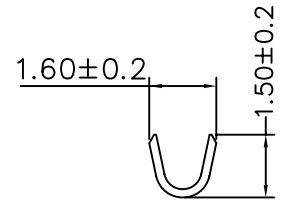
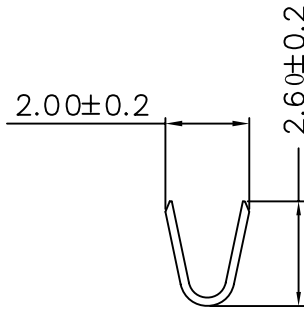
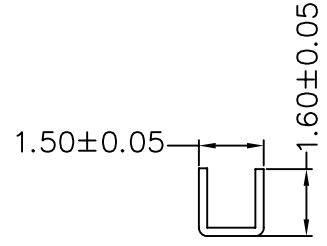
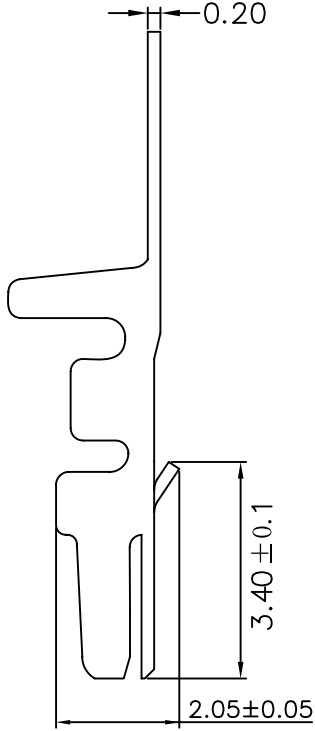
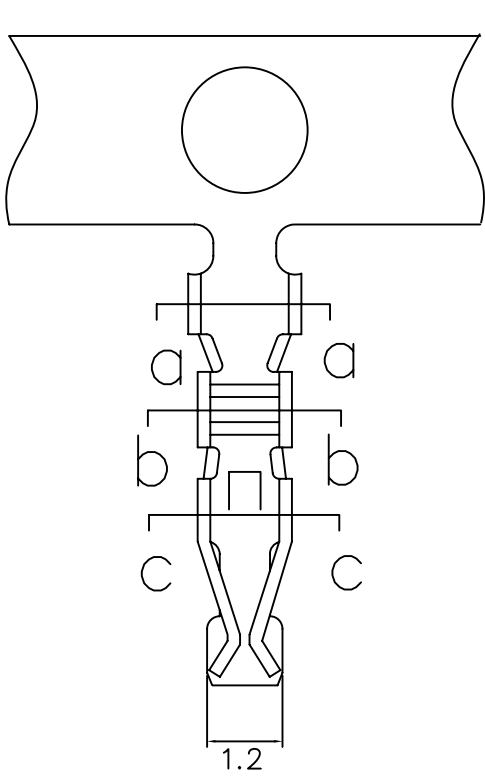
PART NO.	Dimensions	
	A	B
A2006HC-2X02P	2.00	6.00
A2006HC-2X03P	4.00	8.00
A2006HC-2X04P	6.00	10.00
A2006HC-2X05P	8.00	12.00
A2006HC-2X06P	10.00	14.00
A2006HC-2X07P	12.00	16.00
A2006HC-2X08P	14.00	18.00
A2006HC-2X09P	16.00	20.00
A2006HC-2X10P	18.00	22.00
A2006HC-2X11P	20.00	24.00
A2006HC-2X12P	22.00	26.00
A2006HC-2X13P	24.00	28.00
A2006HC-2X14P	26.00	30.00
A2006HC-2X15P	28.00	32.00
A2006HC-2X16P	30.00	34.00
A2006HC-2X17P	32.00	36.00
A2006HC-2X18P	34.00	38.00
A2006HC-2X19P	36.00	40.00
A2006HC-2X20P	38.00	42.00

**CNJM** Joint More Precision electronics Co.,Ltd.

DRAW NO.	DATE	P/N NO.	DRAW NAME:
DESIGN: 陈雪峰	2015.10.09	A2006HC-2XNP	2.0mm pitch housing
CHECK: 杨 焯			
REVIEW:		REV.A/1	SCALE 1:1
		UNIT: mm	SHEET 1 OF 1

DIM	TOL	DIM	TOL
X.	/	X°	/
X.X	0.25	X.X°	
X.XX	0.15	X.XX°	
X.XXX	0.10	X.XXX°	/

REV.	ECN NO.	DESCRIPTION	DATE	DESIGN
A		变更料号	16/11/22	苏亮



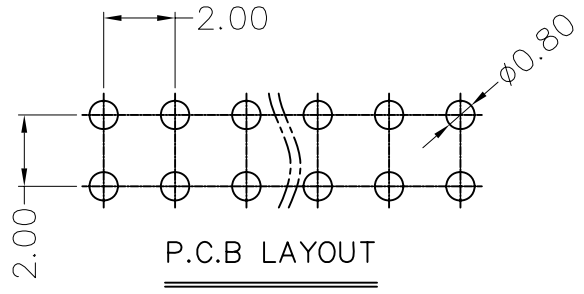
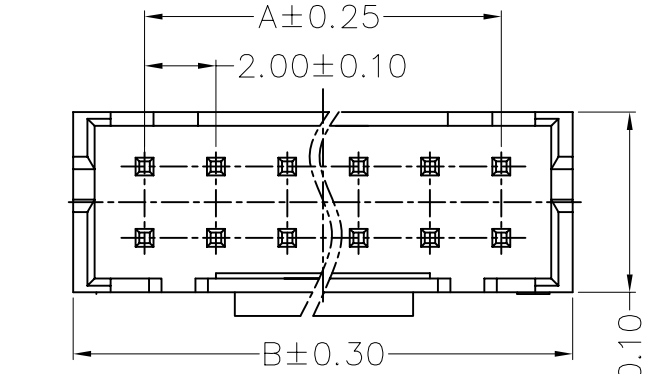
**CNJM** Joint More Precision electronics Co.,Ltd.

Part NO.	Wire range	Insulation O.D.	Materials	Finish	Qty/reel
A2006-TP	AWG#22-28	1.5mm(max)	Phosphor Bronze	Tin-plated	10000PCS
A2006-TPE	AWG#22-28	1.5mm(max)	Phosphor Bronze	Tin-plated	10000PCS

DIM	TOL	DIM	TOL
X.	/	X°	/
X.X	<b>0.25</b>	X.X°	
X.XX	<b>0.15</b>	X.XX°	
X.XXX	<b>0.10</b>	X.XXX°	/

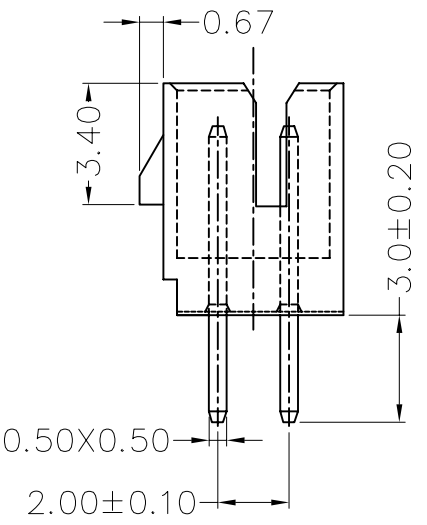
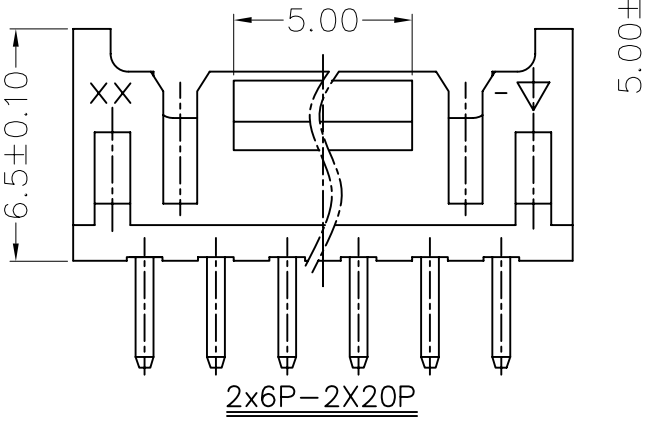
DRAW NO.		DATE	P/N NO:	DRAW NAME:
DESIGN:	陈雪峰	2017.06.03	A2006-XXX	2.0mm pitch Terminal
CHECK:	杨焯			
REVIEW:			REV. A/1	SCALE 1:1
			UNIT: mm	SHEET: 1 OF 1

REV.	ECN NO.	DESCRIPTION	DATE	DESIGN
A		变更料号	16/01/09	苏亮



**SPECIFICATIONS**

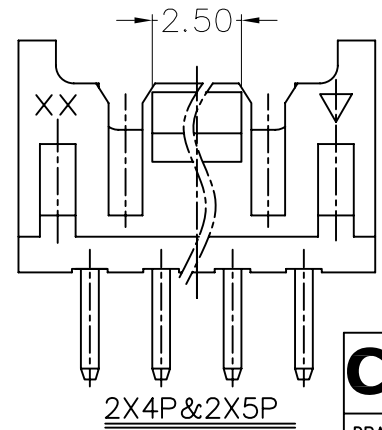
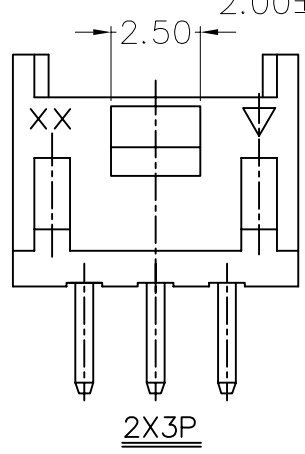
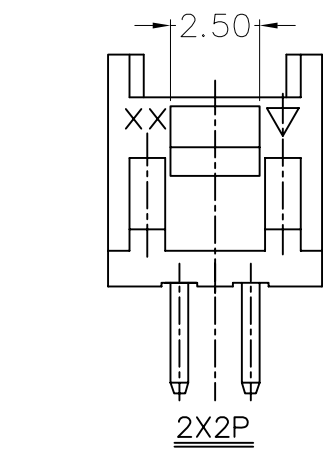
- 1) Voltage rating: 250V AC,DC.
- 2) Current rating: 3A AC,DC.
- 3) Withstanding voltage: 800V AC/minute.
- 4) Insulation resistance: 1,000M Omega min.
- 5) Temperature range: -40°~+105°.
- 6) Contact resistance: Initial value/10m omega max, after environmental testg /20m omega max.



**WAFER**

- 1) Part No.: A2006WVC-2XNP
- 2) Poles: 4-40
- 3) Material: Contact: Brass, Tin plated  
Base: PA66+GF UL94v-0
- 4) Qty: 1000pcs/bag

Poles	Part No.	Dimensions	
		A	B
4	A2006WVC-2X02P	2.00	6.00
6	A2006WVC-2X03P	4.00	8.00
8	A2006WVC-2X04P	6.00	10.00
10	A2006WVC-2X05P	8.00	12.00
12	A2006WVC-2X06P	10.00	14.00
14	A2006WVC-2X07P	12.00	16.00
16	A2006WVC-2X08P	14.00	18.00
18	A2006WVC-2X09P	16.00	20.00
20	A2006WVC-2X10P	18.00	22.00
22	A2006WVC-2X11P	20.00	24.00
24	A2006WVC-2X12P	22.00	26.00
26	A2006WVC-2X13P	24.00	28.00
28	A2006WVC-2X14P	26.00	30.00
30	A2006WVC-2X15P	28.00	32.00
32	A2006WVC-2X16P	30.00	34.00
34	A2006WVC-2X17P	32.00	36.00
36	A2006WVC-2X18P	34.00	38.00
38	A2006WVC-2X19P	36.00	40.00
40	A2006WVC-2X20P	38.00	42.00



**CNJM** Joint More Precision electronics Co.,Ltd.

DRAW NO.	DATE	P/N NO:	DRAW NAME:
DESIGN: 陈雪峰	2017.06.03	A2006WVC-2XNP	2.0mm pitch wafer 带扣
CHECK: 杨焯		REV. A/1	SCALE 1:1
REVIEW:		UNIT: mm	SHEET: 1 OF 1

DIM	TOL	DIM	TOL
X.	/	X'	/
X.X	0.25	X.X'	/
X.XX	0.15	X.XX'	/
X.XXX	0.10	X.XXX'	/

REV.	ECN NO.	DESCRIPTION	DATE	DESIGN
A		变更料号	16/01/09	苏亮

**SPECIFICATIONS**

- 1) Voltage rating: 250V AC,DC.
- 2) Current rating: 3A AC,DC.
- 3) Withstanding voltage: 800V AC/minute.
- 4) Insulation resistance: 1,000M Omega min.
- 5) Temperature range: -25°~+85°.
- 6) Contact resistance: Initial value/10m omega max, after environmental testg /20m omega max.

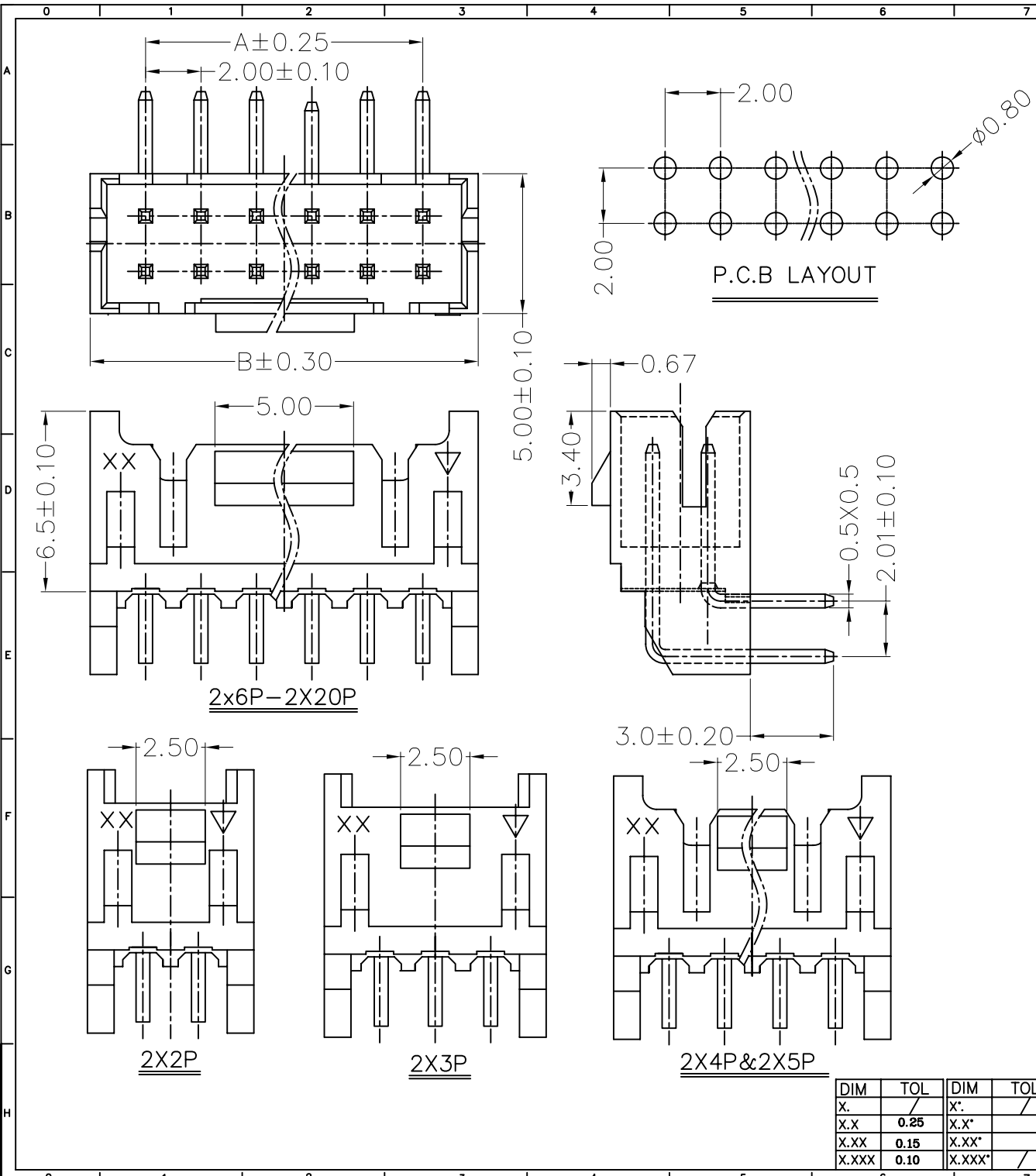
**WAFER**

- 1) Part No.: A2006WRC-2XNP
- 2) Poles: 4-40
- 3) Material: Contact: Brass, Tin plated  
Base: PA66+GF UL94v-0
- 4) Qty: 1000pcs/bag

Poles	Part No.	Dimensions	
		A	B
4	A2006WRC-2X02P	2.00	6.00
6	A2006WRC-2X03P	4.00	8.00
8	A2006WRC-2X04P	6.00	10.00
10	A2006WRC-2X05P	8.00	12.00
12	A2006WRC-2X06P	10.00	14.00
14	A2006WRC-2X07P	12.00	16.00
16	A2006WRC-2X08P	14.00	18.00
18	A2006WRC-2X09P	16.00	20.00
20	A2006WRC-2X10P	18.00	22.00
22	A2006WRC-2X11P	20.00	24.00
24	A2006WRC-2X12P	22.00	26.00
26	A2006WRC-2X13P	24.00	28.00
28	A2006WRC-2X14P	26.00	30.00
30	A2006WRC-2X15P	28.00	32.00
32	A2006WRC-2X16P	30.00	34.00
34	A2006WRC-2X17P	32.00	36.00
36	A2006WRC-2X18P	34.00	38.00
38	A2006WRC-2X19P	36.00	40.00
40	A2006WRC-2X20P	38.00	42.00

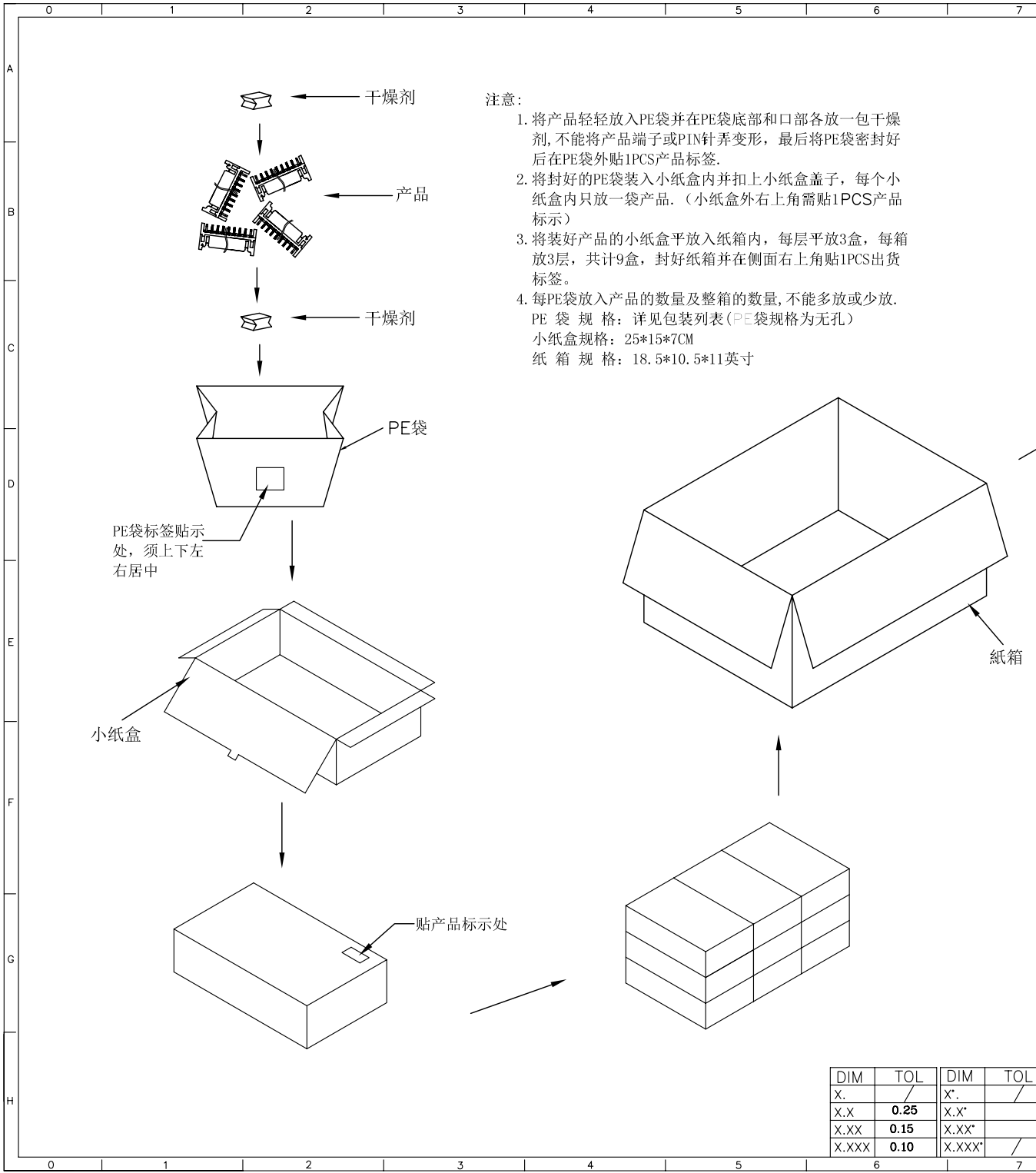
**CNJM** Joint More Precision electronics Co.,Ltd.

DRAW NO.	DATE	P/N NO:	DRAW NAME:
DESIGN: 陈雪峰	2017.06.03	A2006WRC-2XNP	2.0mm pitch wafer 带扣
CHECK: 杨焯		REV. A/1	SCALE 1:1
REVIEW:		UNIT: mm	SHEET: 1 OF 1



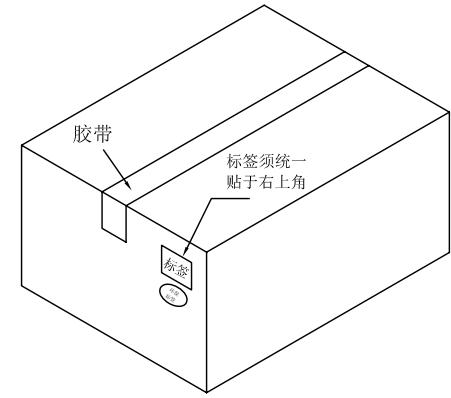
DIM	TOL	DIM	TOL
X.	/	X*	/
X.X	0.25	X.X*	/
X.XX	0.15	X.XX*	/
X.XXX	0.10	X.XXX*	/

REV.	ECN NO.	DESCRIPTION	DATE	DESIGN
A				



注意:

1. 将产品轻轻放入PE袋并在PE袋底部和口部各放一包干燥剂, 不能将产品端子或PIN针弄变形, 最后将PE袋密封好后在PE袋外贴1PCS产品标签。
2. 将封好的PE袋装入小纸盒内并扣上小纸盒盖子, 每个小纸盒内只放一袋产品。(小纸盒外右上角需贴1PCS产品标示)
3. 将装好产品的小纸盒平放入纸箱内, 每层平放3盒, 每箱放3层, 共计9盒, 封好纸箱并在侧面右上角贴1PCS出货标签。
4. 每PE袋放入产品的数量及整箱的数量, 不能多放或少放。  
PE袋规格: 详见包装列表(PE袋规格为无孔)  
小纸盒规格: 25\*15\*7CM  
纸箱规格: 18.5\*10.5\*11英寸



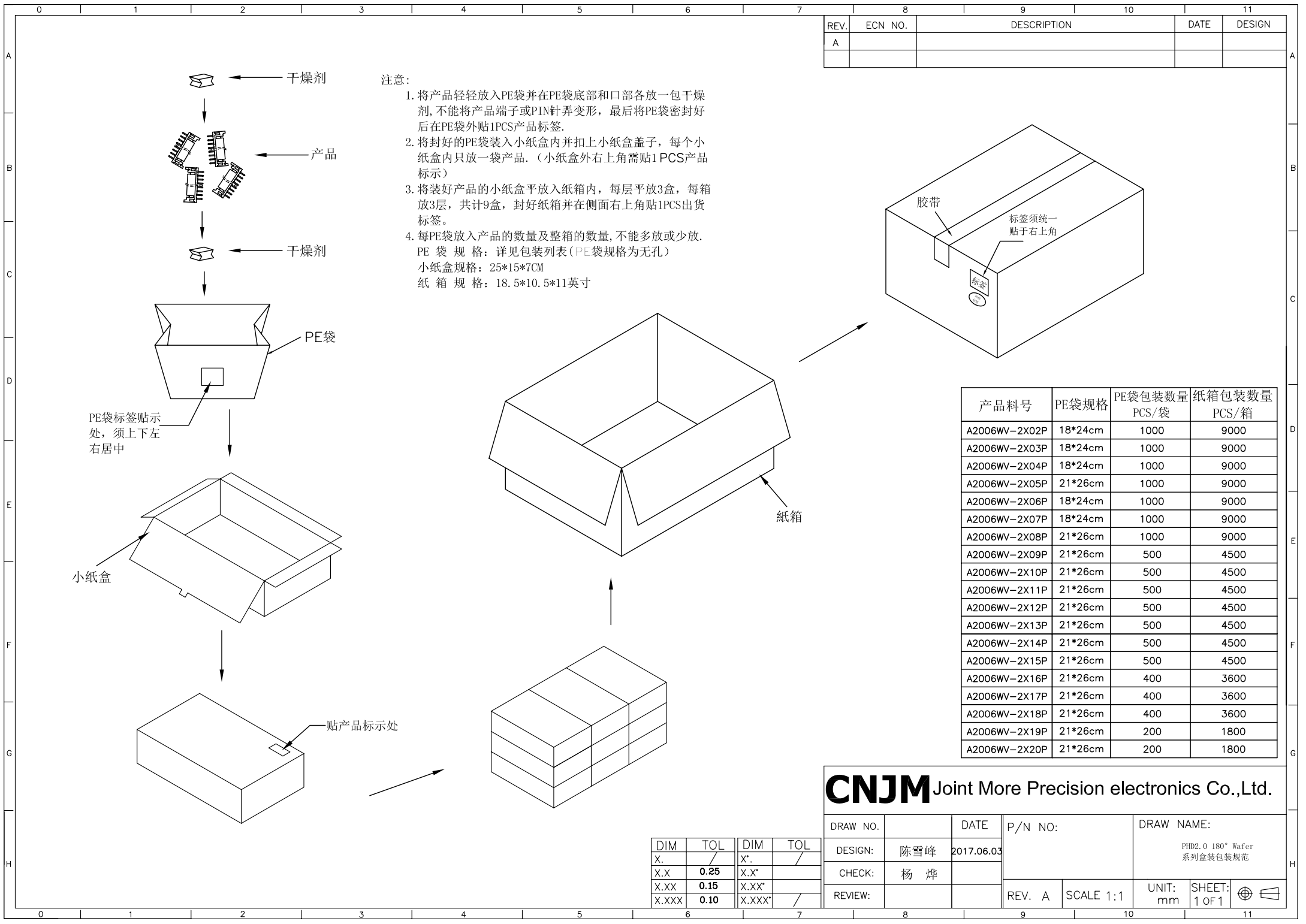
产品料号	PE袋规格	PE袋包装数量 PCS/袋	纸箱包装数量 PCS/箱
A2006WR-2X02P	18*24cm	1000	9000
A2006WR-2X03P	18*24cm	1000	9000
A2006WR-2X04P	18*24cm	1000	9000
A2006WR-2X05P	21*26cm	1000	4500
A2006WR-2X06P	18*24cm	500	4500
A2006WR-2X07P	18*24cm	500	4500
A2006WR-2X08P	21*26cm	500	4500
A2006WR-2X09P	21*26cm	500	4500
A2006WR-2X10P	21*26cm	500	4500
A2006WR-2X11P	21*26cm	500	4500
A2006WR-2X12P	21*26cm	400	3600
A2006WR-2X13P	21*26cm	400	3600
A2006WR-2X14P	21*26cm	300	2700
A2006WR-2X15P	21*26cm	300	2700
A2006WR-2X16P	21*26cm	200	1800
A2006WR-2X17P	21*26cm	200	1800
A2006WR-2X18P	21*26cm	200	1350
A2006WR-2X19P	21*26cm	150	1350
A2006WR-2X20P	21*26cm	150	1350

**CNJM** Joint More Precision electronics Co.,Ltd.

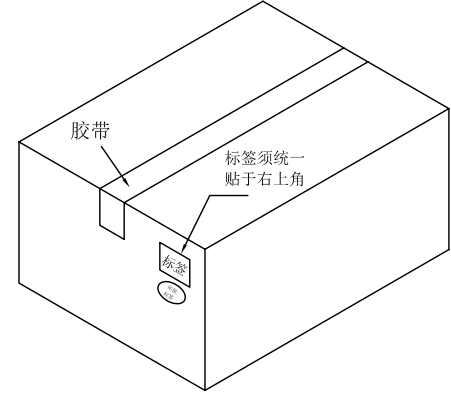
DRAW NO.	DATE	P/N NO:	DRAW NAME:
DESIGN: 陈雪峰	2017.2.9		PHD2.0 90° Wafer 系列盒装包装规范
CHECK: 杨焯			
REVIEW:		REV. A/1	SCALE 1:1
		UNIT: mm	SHEET: 1 of 1

DIM	TOL	DIM	TOL
X.	/	X'	/
X.X	0.25	X.X'	
X.XX	0.15	X.XX'	
X.XXX	0.10	X.XXX'	

REV.	ECN NO.	DESCRIPTION	DATE	DESIGN
A				



- 注意:
1. 将产品轻轻放入PE袋并在PE袋底部和口部各放一包干燥剂, 不能将产品端子或PIN针弄变形, 最后将PE袋密封好后在PE袋外贴1PCS产品标签.
  2. 将封好的PE袋装入小纸盒内并扣上小纸盒盖子, 每个小纸盒内只放一袋产品. (小纸盒外右上角需贴1PCS产品标示)
  3. 将装好产品的小纸盒平放入纸箱内, 每层平放3盒, 每箱放3层, 共计9盒, 封好纸箱并在侧面右上角贴1PCS出货标签.
  4. 每PE袋放入产品的数量及整箱的数量, 不能多放或少放.  
PE袋规格: 详见包装列表(PE袋规格为无孔)  
小纸盒规格: 25\*15\*7CM  
纸箱规格: 18.5\*10.5\*11英寸



产品料号	PE袋规格	PE袋包装数量 PCS/袋	纸箱包装数量 PCS/箱
A2006WV-2X02P	18*24cm	1000	9000
A2006WV-2X03P	18*24cm	1000	9000
A2006WV-2X04P	18*24cm	1000	9000
A2006WV-2X05P	21*26cm	1000	9000
A2006WV-2X06P	18*24cm	1000	9000
A2006WV-2X07P	18*24cm	1000	9000
A2006WV-2X08P	21*26cm	1000	9000
A2006WV-2X09P	21*26cm	500	4500
A2006WV-2X10P	21*26cm	500	4500
A2006WV-2X11P	21*26cm	500	4500
A2006WV-2X12P	21*26cm	500	4500
A2006WV-2X13P	21*26cm	500	4500
A2006WV-2X14P	21*26cm	500	4500
A2006WV-2X15P	21*26cm	500	4500
A2006WV-2X16P	21*26cm	400	3600
A2006WV-2X17P	21*26cm	400	3600
A2006WV-2X18P	21*26cm	400	3600
A2006WV-2X19P	21*26cm	200	1800
A2006WV-2X20P	21*26cm	200	1800

**CNJM** Joint More Precision electronics Co.,Ltd.

DRAW NO.	DATE	P/N NO:	DRAW NAME:
DESIGN: 陈雪峰	2017.06.03		PHD2.0 180° Wafer 系列盒装包装规范
CHECK: 杨焯		REV. A	SCALE 1:1
REVIEW:		UNIT: mm	SHEET: 1 of 1

DIM	TOL	DIM	TOL
X.	/	X'	/
X.X	0.25	X.X'	/
X.XX	0.15	X.XX'	/
X.XXX	0.10	X.XXX'	/