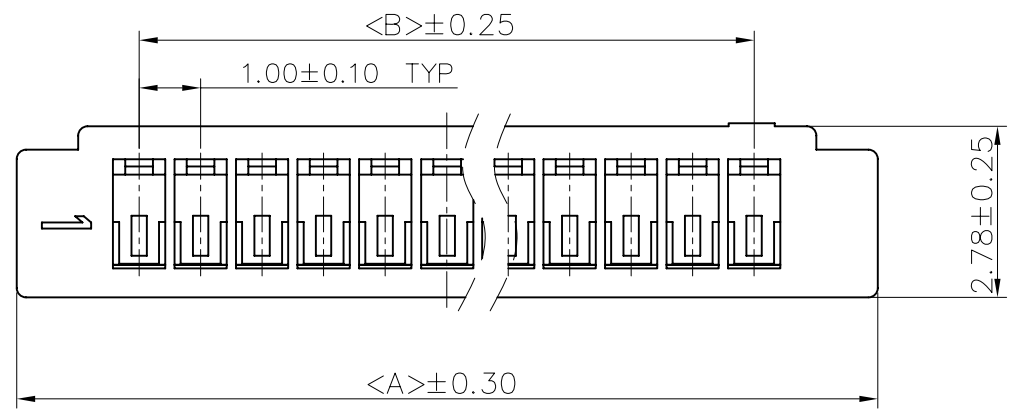
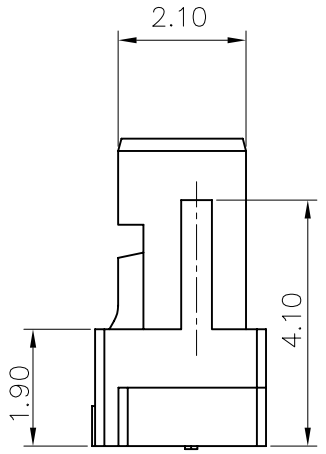
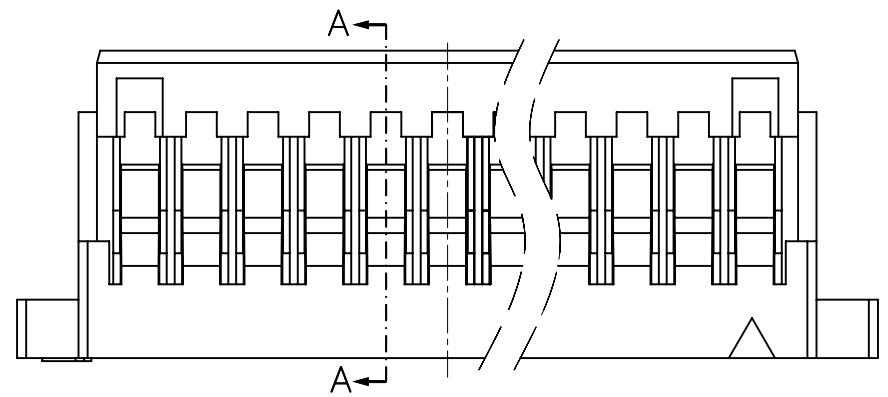
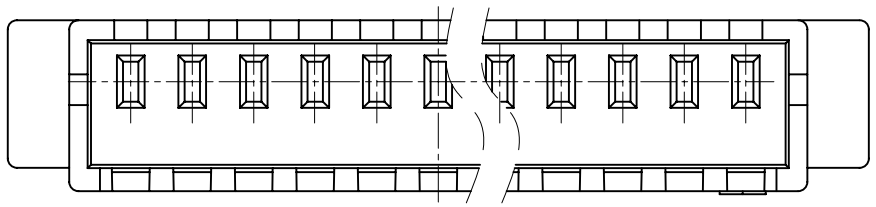


REV:	ECN NO.	DESCRIPTION	DATE	DESIGN
A				

Specifications:
 Current rating: 1A AC/DC.
 Voltage rating: 50V AC/DC
 Temperature range: -40°C~+105°C.
 Contact resistance: 20MΩ Max.
 Insulation resistance: 100MΩ Min.
 Withstanding voltage: 500V AC/minute.
 Material: LCP/PA9T.UL94V-0.



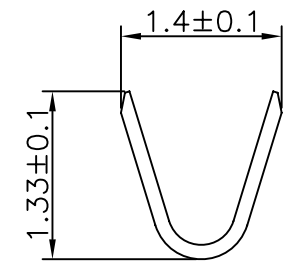
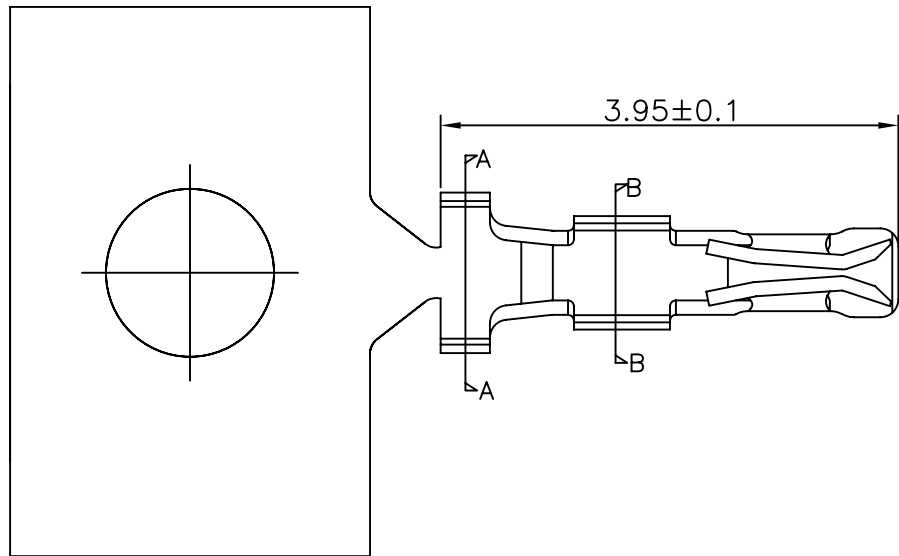
PART NO.	Dimensions	
	A	B
A1001H-02P	5.00	1.00
A1001H-03P	6.00	2.00
A1001H-04P	7.00	3.00
A1001H-05P	8.00	4.00
A1001H-06P	9.00	5.00
A1001H-07P	10.00	6.00
A1001H-08P	11.00	7.00
A1001H-09P	12.00	8.00
A1001H-10P	13.00	9.00
A1001H-11P	14.00	10.00
A1001H-12P	15.00	11.00
A1001H-13P	16.00	12.00
A1001H-14P	17.00	13.00
A1001H-15P	18.00	14.00
A1001H-16P	19.00	15.00

CNJM Joint More Precision electronics Co.,Ltd.

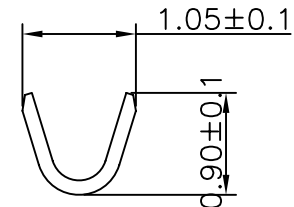
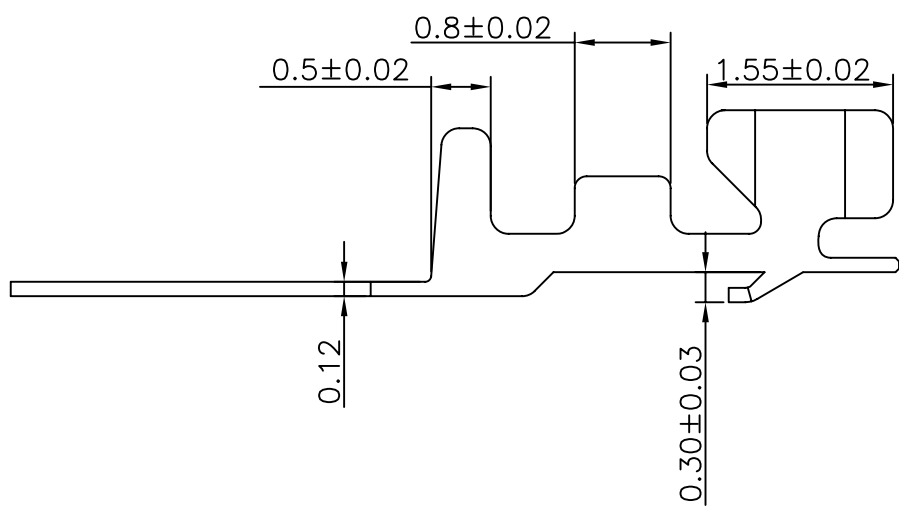
DRAW NO.	DATE	P/N NO:	DRAW NAME:
DESIGN: 陈雪峰	2017.06.03	A1001H-NP	1.0mm pitch housing
CHECK: 杨焯			
REVIEW:		REV. A/1	SCALE 1:1
		UNIT: mm	SHEET: 1 OF 1

DIM	TOL	DIM	TOL
X.	/	X*	/
X.X	0.25	X.X*	/
X.XX	0.15	X.XX*	/
X.XXX	0.10	X.XXX*	/

REV.	ECN NO.	DESCRIPTION	DATE	DESIGN
A				



SECTION:A-A



SECTION:B-B

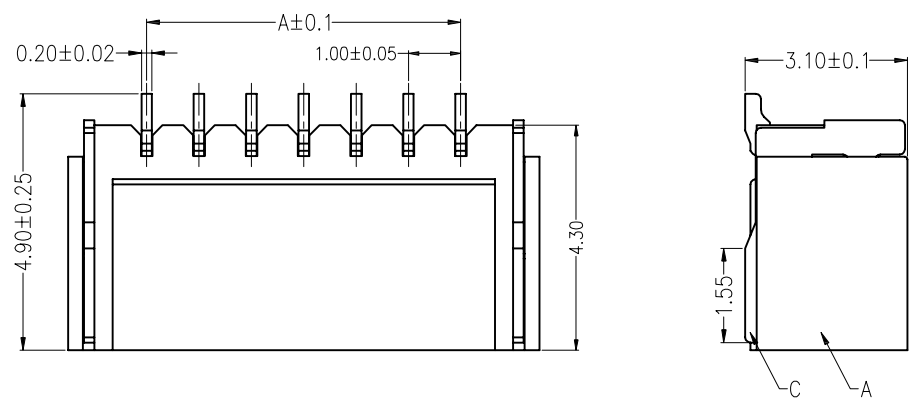
CNJM Joint More Precision electronics Co.,Ltd.

Part NO.	Wire range	Insulation O.D.	Materials	Finish	Qty/reel
A1001-TPE	AWG#32-28	0.8mm(max)	Phosphor Bronze	Tin-plated	20000PCS
A1001-GPE	AWG#32-28	0.8mm(max)	Phosphor Bronze	Gold-plated	20000PCS

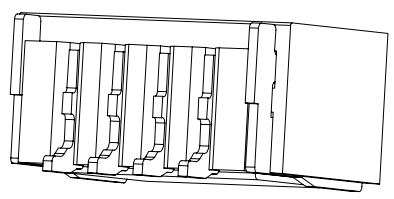
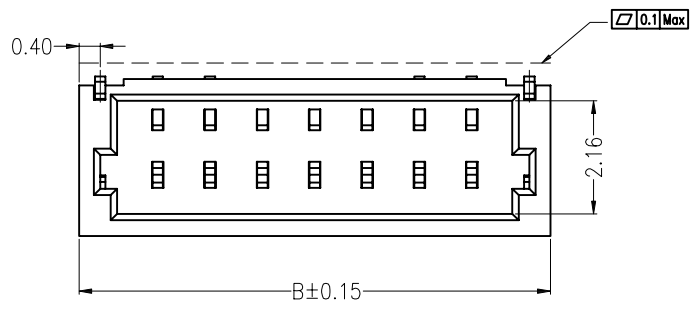
DIM	TOL	DIM	TOL
X.	/	X*	/
X.X	0.25	X.X*	
X.XX	0.15	X.XX*	
X.XXX	0.10	X.XXX*	/

DRAW NO.	DATE	P/N NO.	DRAW NAME:
DESIGN: 陈雪峰	2017.06.03	A1001-XXX	1.0mm pitch terminal
CHECK: 杨焯			
REVIEW:		REV.A/1	SCALE 1:1
		UNIT: mm	SHEET: 1 OF 1

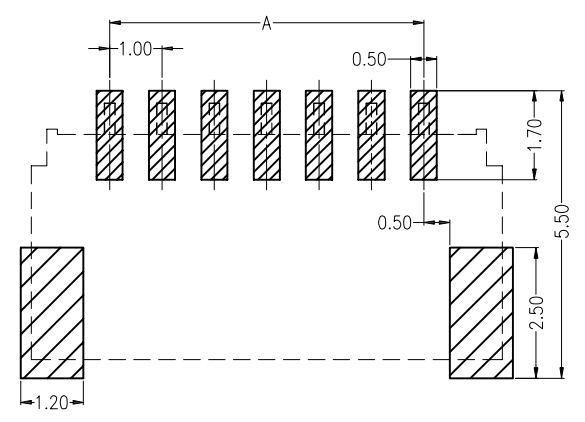
REV.	ECN NO.	DESCRIPTION	DATE	DESIGN
A				



Specifications:
 Current rating:1A AC/DC.
 Voltage rating:50V AC/DC
 Temperature range:-40°C~+105°C.
 Contact resistance:20MΩ Max.
 Insulation resistance:100MΩ Min.
 Withstanding voltage: 500V AC/minute.
 Material:LCP/PA9T.UL94V-0.



PART NO.	Dimensions	
	A	B
A1001WR-S-02P	1.00	4.00
A1001WR-S-03P	2.00	5.00
A1001WR-S-04P	3.00	6.00
A1001WR-S-05P	4.00	7.00
A1001WR-S-06P	5.00	8.00
A1001WR-S-07P	6.00	9.00
A1001WR-S-08P	7.00	10.00
A1001WR-S-09P	8.00	11.00
A1001WR-S-10P	9.00	12.00
A1001WR-S-11P	10.00	13.00
A1001WR-S-12P	11.00	14.00
A1001WR-S-13P	12.00	15.00
A1001WR-S-14P	13.00	16.00
A1001WR-S-15P	14.00	17.00
A1001WR-S-16P	15.00	18.00



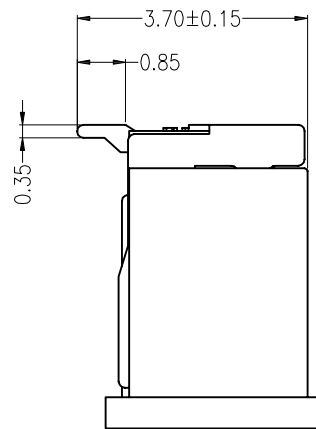
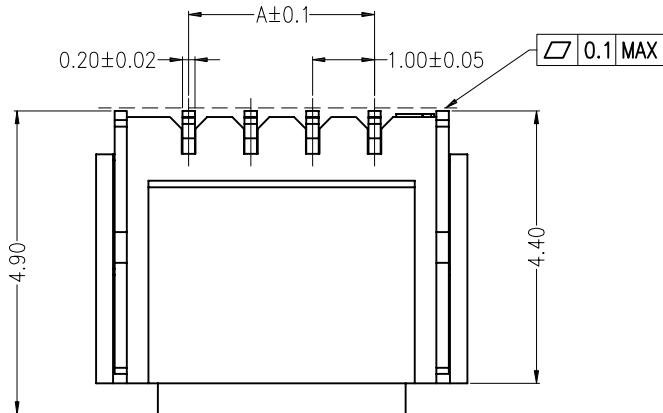
P. C. B LAYOUT

CNJM Joint More Precision electronics Co.,Ltd.

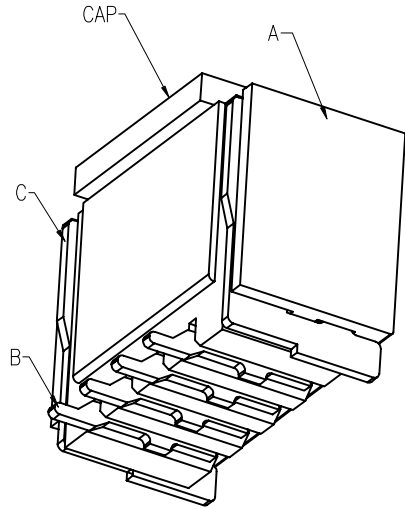
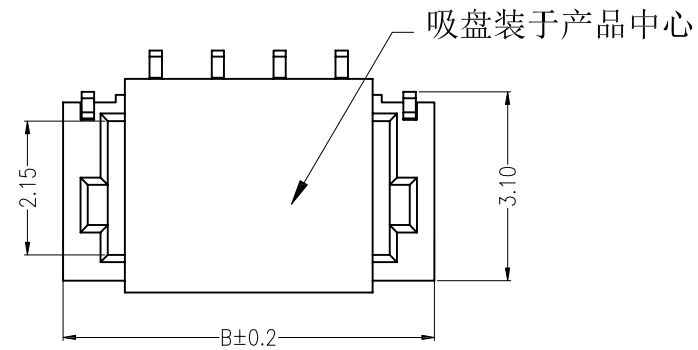
DRAW NO.	DATE	P/N NO.	DRAW NAME:
DESIGN: 陈雪峰	2017.06.03	A1001WR-S-NP	1.0mm pitch 90° SMT
CHECK: 杨焯			
REVIEW:		REV.A/1	SCALE 1:1
		UNIT: mm	SHEET: 1 OF 1

DIM	TOL	DIM	TOL
X.	/	X*	/
X.X	0.25	X.X*	
X.XX	0.15	X.XX*	
X.XXX	0.10	X.XXX*	/

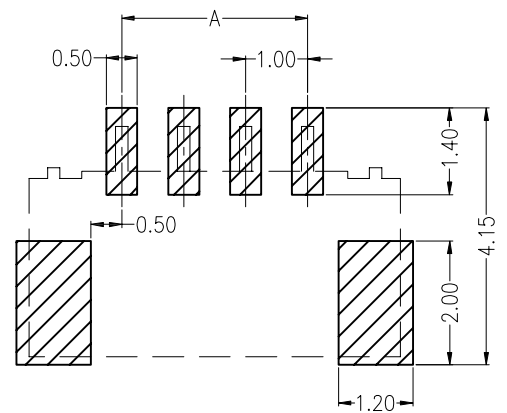
REV.	ECN NO.	DESCRIPTION	DATE	DESIGN
A				



Specifications:
 Current rating:1A AC/DC.
 Voltage rating:50V AC/DC
 Temperature range:-40°C~+105°C.
 Contact resistance:20MΩ Max.
 Insulation resistance:100MΩ Min.
 Withstanding voltage: 500V AC/minute.
 Material:LCP/PA9T.UL94V-0.



PART NO.	Dimensions	
	A	B
A1001WV-S-02P	1.00	4.00
A1001WV-S-03P	2.00	5.00
A1001WV-S-04P	3.00	6.00
A1001WV-S-05P	4.00	7.00
A1001WV-S-06P	5.00	8.00
A1001WV-S-07P	6.00	9.00
A1001WV-S-08P	7.00	10.00
A1001WV-S-09P	8.00	11.00
A1001WV-S-10P	9.00	12.00
A1001WV-S-11P	10.00	13.00
A1001WV-S-12P	11.00	14.00
A1001WV-S-13P	12.00	15.00
A1001WV-S-14P	13.00	16.00
A1001WV-S-15P	14.00	17.00
A1001WV-S-16P	15.00	18.00



P. C. B. LAYOUT

CNJM Joint More Precision electronics Co.,Ltd.

DRAW NO.		DATE	P/N NO:	DRAW NAME:
DESIGN:	陈雪峰	2017.06.03	A1001WV-S-NP	1.0mm pitch 180° SMT
CHECK:	杨焯			
REVIEW:			REV.A/1	SCALE 1:1
			UNIT: mm	SHEET: 1 OF 1

DIM	TOL	DIM	TOL
X.	/	X*	/
X.X	0.25	X.X*	
X.XX	0.15	X.XX*	
X.XXX	0.10	X.XXX*	/